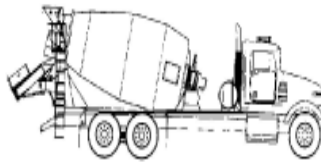


Concrete Mixer Supply.com



Mixer Parts

CHUTE PIVOTS, CYLINDERS & CHUTE LOCKS

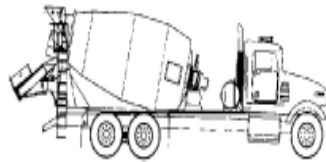
Concrete Mixer Supply.Com

SECTION 7

Chute Pivot Assemblies

Cylinders & Repair Parts

Chute Lock Assemblies



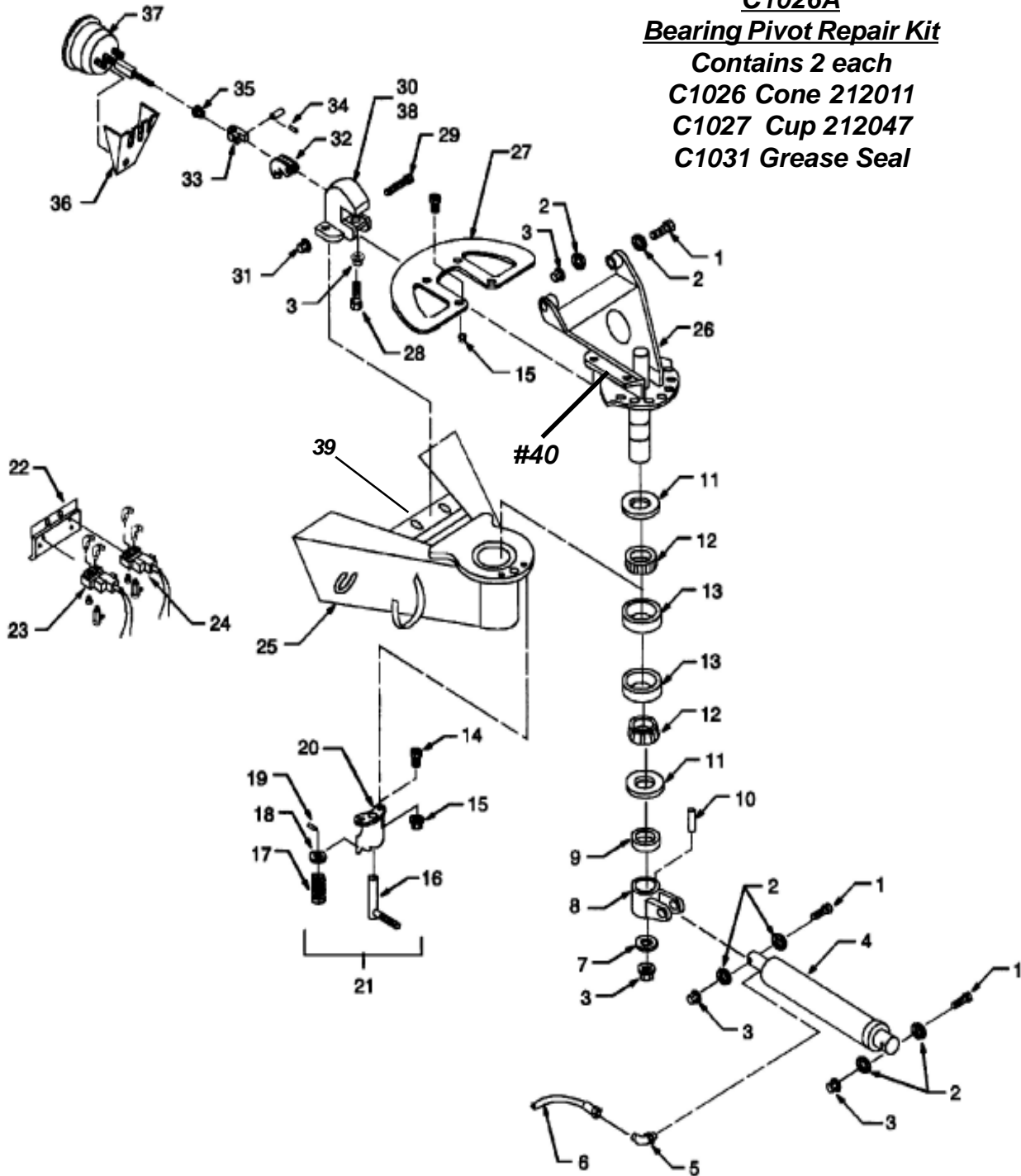
CHUTE PIVOTS, CYLINDERS & CHUTE LOCKS

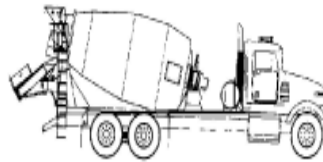
McNeilus Rear Pivot Assembly

C1026A

Bearing Pivot Repair Kit

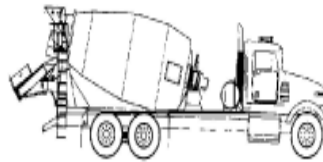
- Contains 2 each
- C1026 Cone 212011
- C1027 Cup 212047
- C1031 Grease Seal





CHUTE PIVOTS, CYLINDERS & CHUTE LOCKS

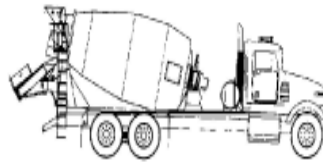
<u>Item #</u>	<u>CMS #</u>	<u>OEM Part#</u>	<u>Description of Part</u>
1	B8550	020.120058.3500	7/8-9 x 3-1/2" Hex Bolt Gr8
1	C 1003	020.151282	3/4" Chute Rod
1	C 1004		1" Chute Rod
2	SW 8500	020.100567	7/8" Flat Washer
3	LN 8500	020.100534	7/8" Locknut
4	See Page # 8 Section 6		Chute Lift Cylinder
5	CY2000	206209 6 6	Hydraulic Fitting
6	HPH 006	102.00235	Chute Cylinder Hose
7	C 1030	020.82279	Pivot Bottom Keeper Plate
8	C 1029	340.152641	Chute Cylinder Clevis
9	C 1028	080.152294	Swivel Bearing Spacer
10	C 1029 K	020.00230	Pivot Key Stock 1/2 x 3/8 x 1-7/8"
11	C 1031	100.215252	Pivot Seal
12	C 1027	080.183111	Swivel Pivot Bearing Cup
13	C 1026	080.183112	Swivel Pivot Bearing Cone
14	B 3125	020.00261.1500	Pivot Lock Bolt
15	LN 3000	020.120200	3/8-18 Flanged Head Nut Gr8
16	C 1015	540.00248	Lock Handle
17	C 1014	020.00246	Latch Spring
18	SW 9000	020.00245	1" Flat Washer
19	C 1017	020.00247	5/32 x 1-1/2" Roll Pin
20	C 1018 A	320.00249	Pivot Lock Housing
21	C 1018	540.00259	MTM Manual Chute Lock Assembly
21	C 1019	WM 2381-000	Smith Manual Chute Lock Assembly
22	CL 1015 A	320.84752	Solenoid Mounting Bracket
23	CL 1015	060.85284	Air Chute Lock Solenoid Valve
24	CL 1016	060.85288	Air Hopper Lift Solenoid Valve
25	P 1000 D	560.153295	Bearing Pivot Frame Assembly
26	See Page # 4 & 5 Section 6		Pivot Assembly
27	CL 1004	43832050	Air Chute Brake Clamp Plate Smith
27	CL 1004 A	540.151277	Air Chute Brake Clamp Plate McNeilus
28	B 8175	020.120007.1750	3/4-10 x 1-3/4" Hex Bolt Gr5
29	B 3350	020.120027.3500	3/8-16 x 3-1/2" Hex Bolt Gr5
30	CL 1002-ASSY	540.151315	Air Chute Lock Base
31	LN 3000	020.120177	3/8" Locknut
32	CL 1002 A	540.151320	Air Chute Lock Cam
33	CL 1003 A	020.115284	Air Chamber Clevis Assembly
34	CL 1003 C	020.11515	Clevis Pin
35	LN 5000	020.120329	1/2-20 Lock Nut (fine thread)
36	CL 1003 B	320.151236	Air Chamber Mount Bracket
37	CL 1003	400.183122	Air Chamber Type 16
38	CL 1002 ASSY	540.151310	Air Chute Lock Assembly
39	CL 1002 C		Air Chute Base Spacer Bar
40	CL1004D		Lock Plate Mount Bracket



CHUTE PIVOTS, CYLINDERS & CHUTE LOCKS

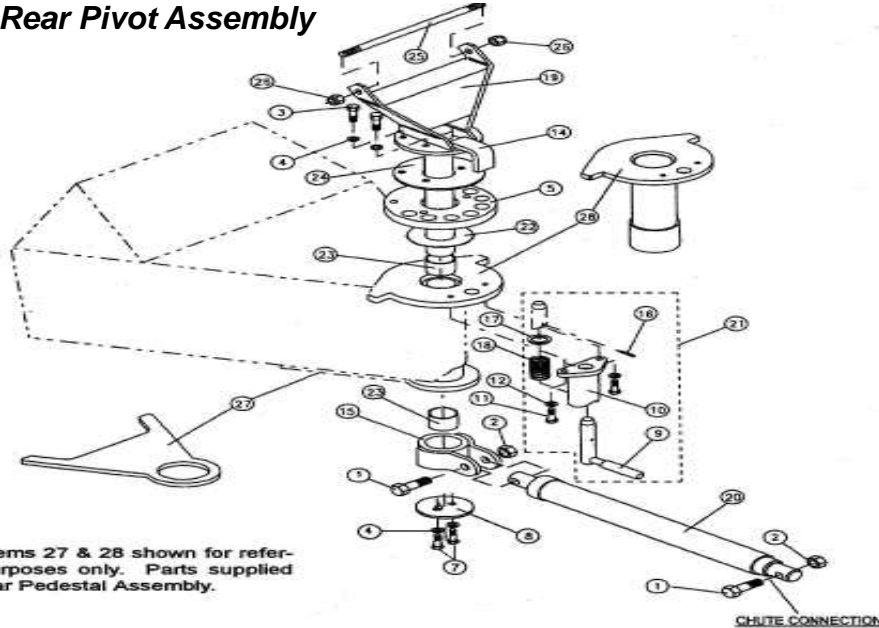
TL Smith Rear Pivot Assembly

<u>Item#</u>	<u>CMS #</u>	<u>Description of Part</u>
1	P1000N	Pivot Support Wrapper
2	P1000E	Column Support - Bearing Style
3	43940016	Cover Plate
4	C1023	Pivot Arm Assembly - Bearing Style
5	CL1004	Air Chute Lock Plate
6	C1019	Manual Chute Lock Assembly
7	CT1017	Prox Switch Bracket-Bridgemaster only
8	CL1002C	Air Chute Lock Plate
9	CY1000	Single Acting Cylinder 2 x 18"
9	CY1010	Single Acting Cylinder 2-1/2 x 16"
9	CY1012	Double Acting Cylinder 2-1/2 x 16"
10	CT1000	Promity Switch - Bridgemaster trucks only
11	B8150	Bolt 3/4 x 1-1/2" Gr8
12	UW7000	Washer
13	C1030	Swivel End Plate
14	C1029	Chute Cylinder Clevis
15	C1028	Spacer
16	C1031	Grease Seal
17	C1026	Bearing Cone
18	C1003	Main Chute Rod 3/4"
19	UW5000	Washer
20	B5125	Bolt 1/2 x 1-1/4"
21	C1027	Bearing Cup
22	B8350	Bolt 3/4" x 3-1/2"
23	B8450	Bolt 3/4" x 4-1/2"
24	UW8000	Washer
25	LN8000	Locknut 3/4" gr8
26	LN5000	Locknut 1/2"
27	HW6292	Grease Zerk



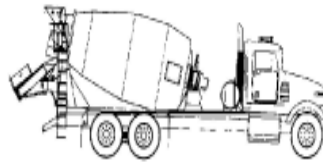
CHUTE PIVOTS, CYLINDERS & CHUTE LOCKS

London Rear Pivot Assembly



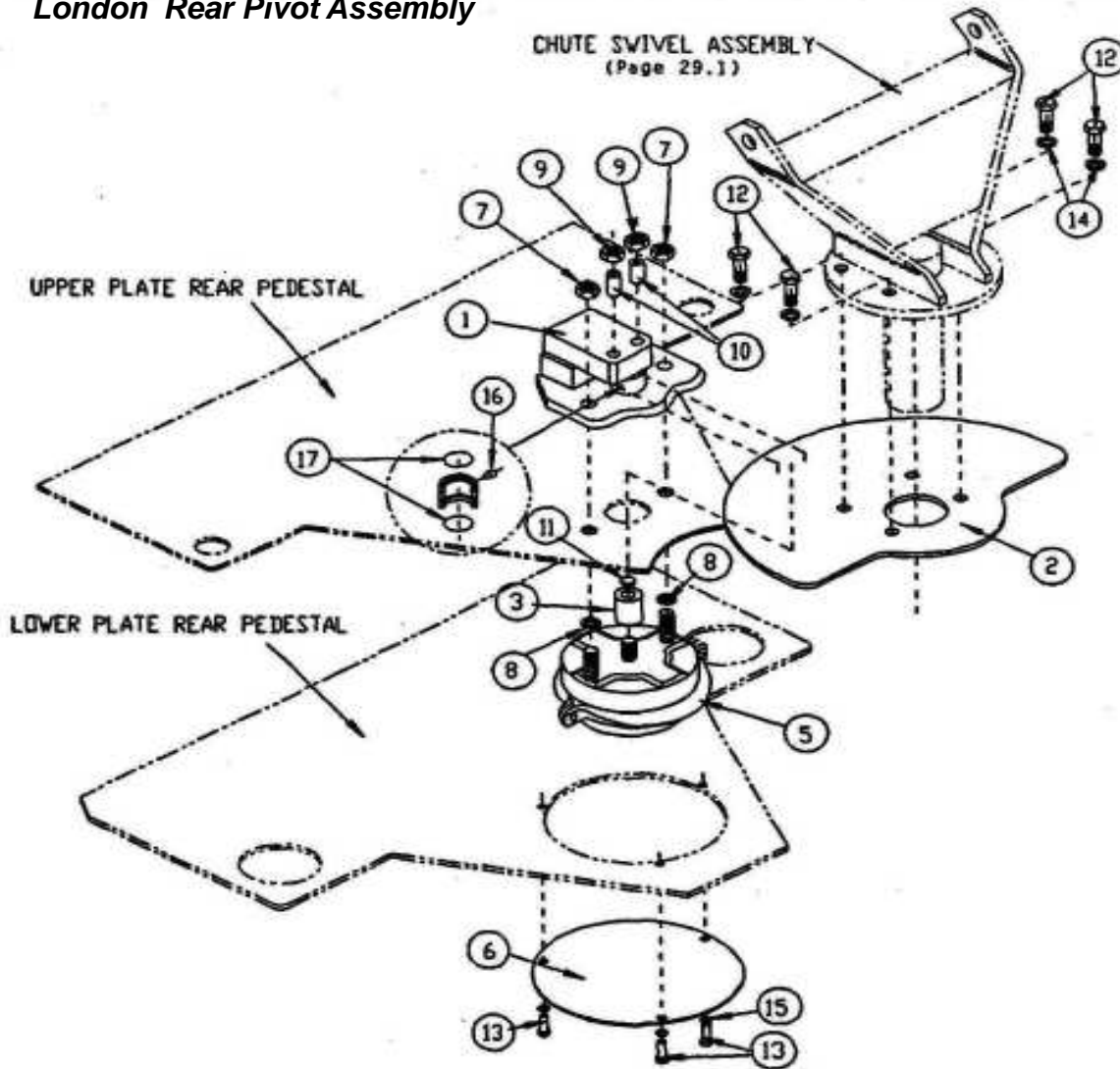
Note: Items 27 & 28 shown for reference purposes only. Parts supplied with Rear Pedestal Assembly.

<u>Item#</u>	<u>CMS #</u>	<u>OEM Part#</u>	<u>Description of Part</u>	<u>Qty</u>
1	B8350	HH-00293-153	Hex Head Bolt 3/4-10 x 3-1/2 Gr 8	2
2	LN8000	HH-00340-006	Locknut, 3/4-10	2
3	B5150 A	HH-00972-090	Hex Head Bolt 1/2-20 x 1-1/2	4
4	LW5000	HH-00457-001	Lockwasher, 1/2"	4
5	MC-33336	MC-33336	Swivel Bearing Plate	1
6	HW9262	HH-00232-001	1/4-28 Straight Grease Fitting	1
7	B5100	HH-00293-088	Hex Head Screw, 1/2-13 x 1"	2
8	C1024	MA-32775	Keeper Plate	1
9	C1015	MA-32774	Latch Handle	1
10	C1019A	MB-32773	Chute Lock Housing	1
11	B3100	HH-00293-049	Hex Head Screw, 3/8-16 x 1"	2
12	LW3000	HH-00457-004	Lockwasher, 3/8"	2
15	C1029A	MC-32617	Chute Cylinder Clevis	1
16	C1017	HH-00104-012	Roll Pin	1
17	C1016	MA-35958	Flat Washer	1
18	C1014	MA-32753	Latch Spring	1
19	C6000	MC-38646	London Swivel Assembly	1
20	CY6000	MB-37793	Hydraulic Cylinder Standard	1
20	CY6001	MB-38576	Hydraulic Cylinder Paver	1
21	C1019	MB-35571	Chute Lock Assy	1
22	MA-39262	MA-39262	Thrust Washer	1
23	C1033	MA-39263	Bushing - Swivel Bearing	2
24	MA-39301	MA-39301	Spacer Plate	1
25	C1003	HH-00081-106	Main Chute Pin	1

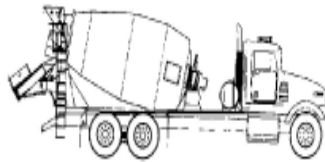


CHUTE PIVOTS, CYLINDERS & CHUTE LOCKS

London Rear Pivot Assembly



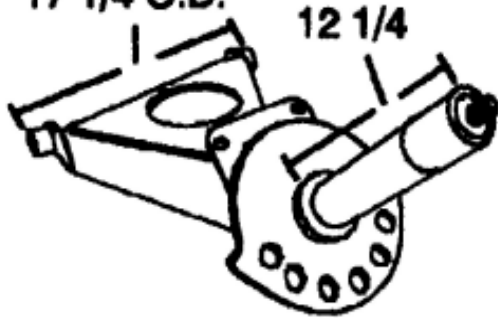
<u>Item#</u>	<u>CMS #</u>	<u>OEM Part#</u>	<u>Description of Part</u>	<u>Qty</u>
1	MB-37849	MB-37849	Caliper Weldment	1
2	MC-37833	MC-37833	Caliper Disc	1
3	MA-37847	MA-37847	Piston	1
5	MA-37861	MA-37861	Air Brake Actuator	1
17	HH-00116-055	HH-00116-055	Oring	2



CHUTE PIVOTS, CYLINDERS & CHUTE LOCKS

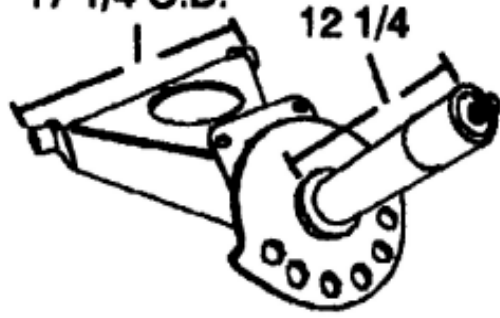
McNeilus Chute Pivots

14 1/4 I.D.
17 1/4 O.D.



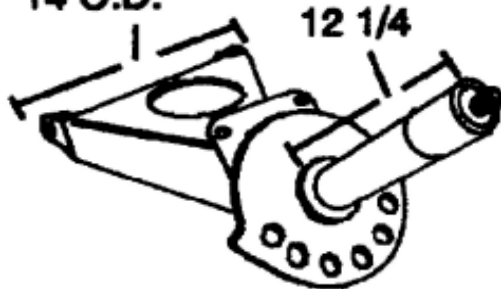
C 1023-A
MTM # 560.150320
MTM Bushing
(C 1032 Garlock Bushing)
Pivot Arm
Fits C 4002 Main Chute

14 1/4 I.D.
17 1/4 O.D.



C 1023
MTM # 560.152305
MTM Bearing
Pivot Arm
Fits C 4002 Main Chute

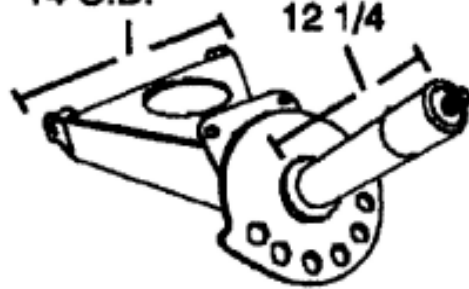
11 1/4 I.D.
14 O.D.



3/4" BUSHINGS

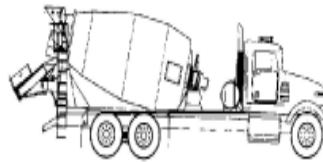
C 1023-B
MTM # 560.153310
MTM Bearing
Pivot Arm
Fits C 4003 Main Chute

11 1/4 I.D.
14 O.D.



7/8" BUSHINGS

C 1023-C
MTM # 560.152635
MTM Bearing
Pivot Arm
Fits C 4003 Main Chute



CHUTE PIVOTS, CYLINDERS & CHUTE LOCKS

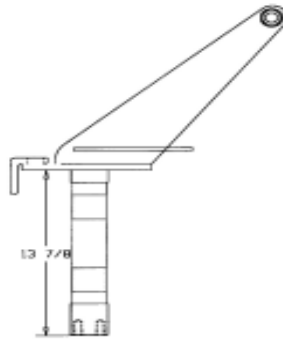
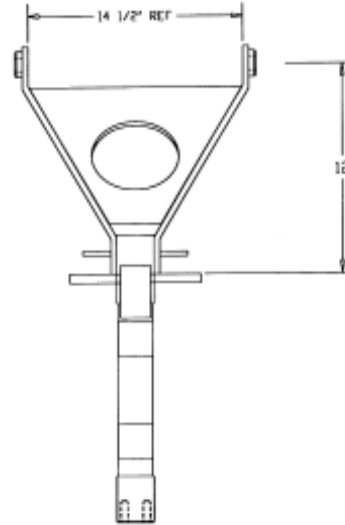
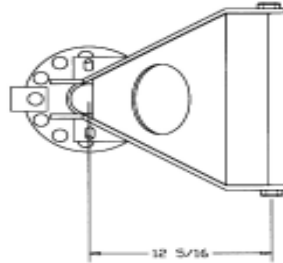
Smith Chute Pivots Bushing Style

C1023A
Bushing Style Pivot

C 1033
Brass Bushings

C 1029A
Chute Cylinder Clevis

C 1024
Keeper Plate



Smith Chute Pivots Bearing Style

C 1023 - Smith 152305
Smith Bearing Pivot Assembly

C 1026 - HM212011
Bearing Cup

C 1027 - HM212047
Bearing Cone

C 1031
Grease Seal

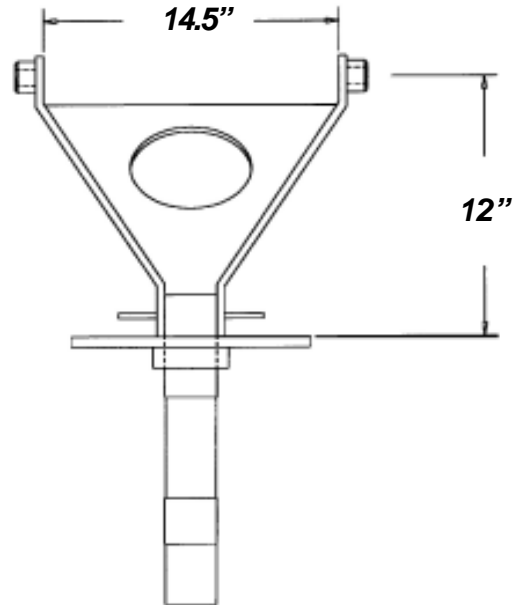
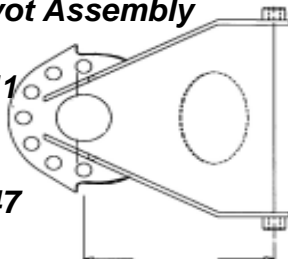
C 1029 - Smith 151300
Chute Cylinder Clevis

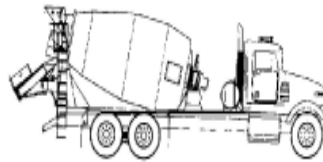
C 1028 - Smith 152305004
Spacer

C 1030 - Smith 150302000
End Plate

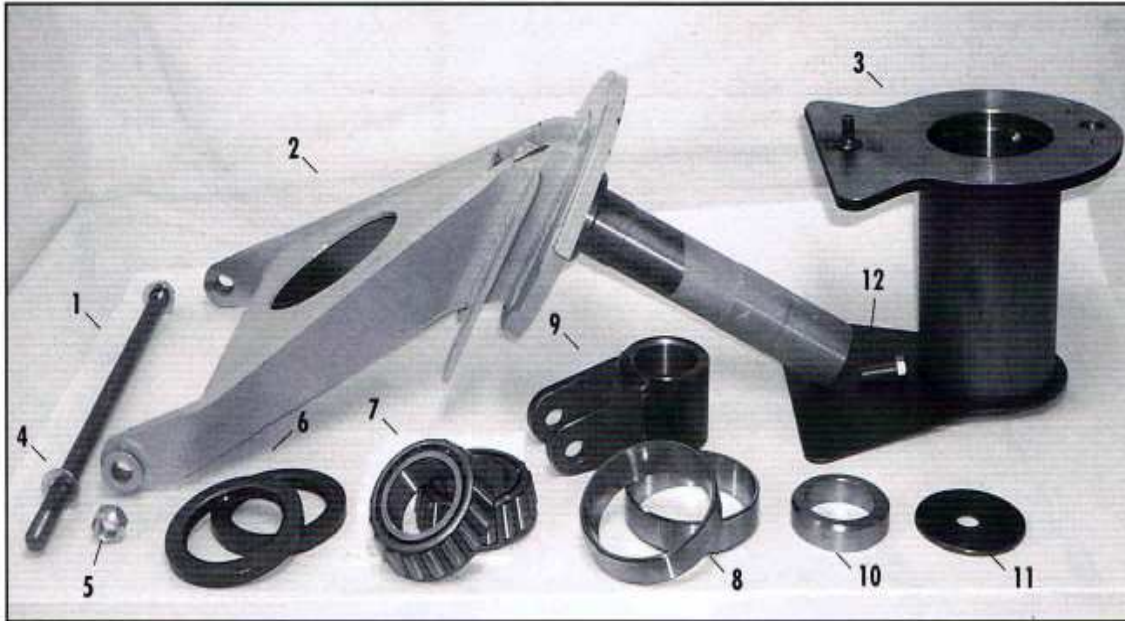
12.375" Older Pivot Design

11.031" New Pivot Design



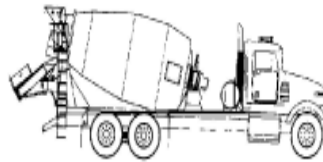


CHUTE PIVOTS, CYLINDERS & CHUTE LOCKS



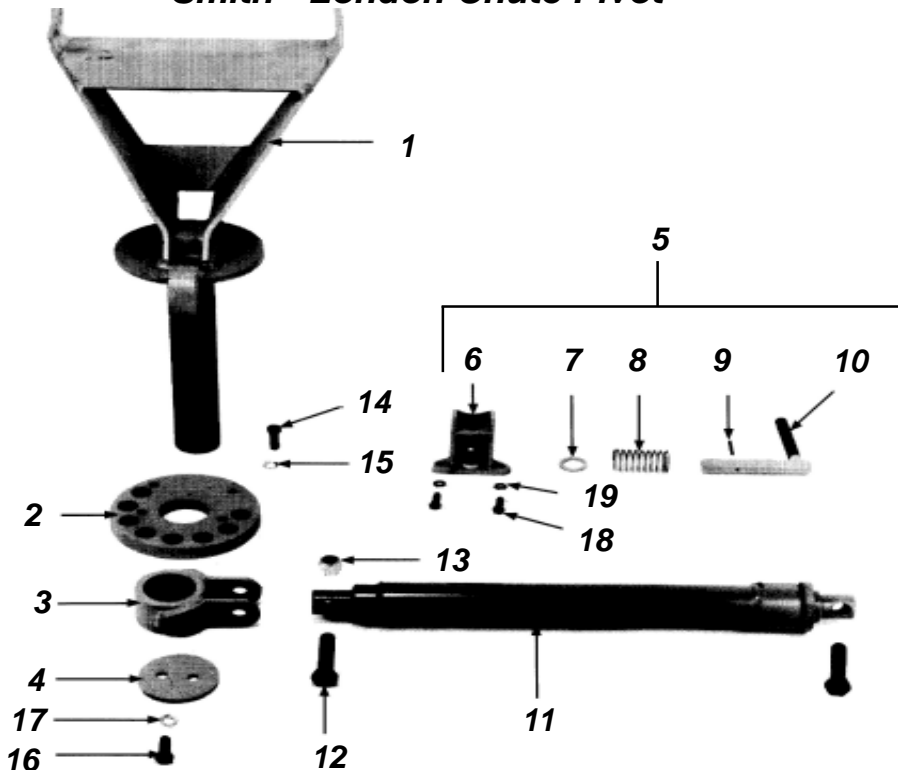
SMITH BEARING PIVOT ASSEMBLY

ITEM SHOWN	PART NO.	DESCRIPTION
1	151282	Chute Rod
2	152305	Bearing Style Pivot Arm Assembly
3	152290008	Bearing Style Column Support Assembly
4	0613001	Washer, 3/4" Hardened
5	0086006	Locknut 3/4" Grade 8
6	43800000	Grease Seal
7	183111	Bearing (Cone)
8	183112	Bearing (Cup)
9	151300	Clevis, Cylinder
10	152305004	Hub
11	150302000	End Plate
12	0087145	Hex Head Bolt, 3/4" x 1-1/2" Grade 8

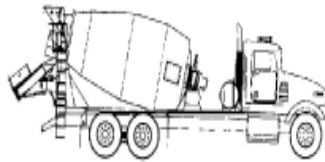


CHUTE PIVOTS, CYLINDERS & CHUTE LOCKS

Smith - London Chute Pivot

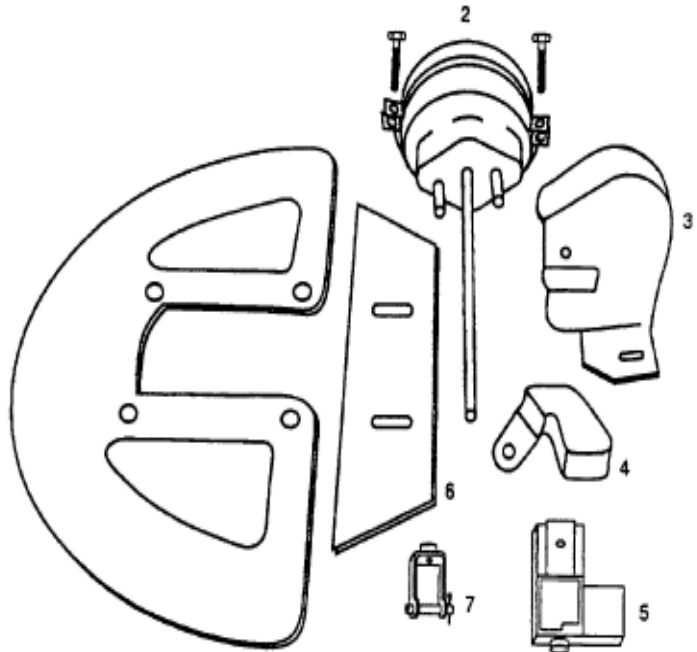


<u>Item #</u>	<u>CMS #</u>	<u>OEM Part#</u>	<u>Description of Part</u>
1	C 1023B	MD-33334	Pivot Arm (No Bushing)
2	C 1050 I	MB-33336	Swivel Bearing Plate
3	C 1029 A	WM 2381-000	Chute Cylinder Clevis
4	C 1024	XM 5405-000	Keeper Plate
5	C 1019	WM 2382000	Manual Chute Lock Assembly
6	C 1019 A	WM 2380-000	Chute Lock Housing
7	C 1016	HH 0067-003	Special Washer
8	C 1014	XM 5404-000	Spring
9	C 1017		3/16 x 1-3/8 Roll Pin
10	C 1015	XM 5403-000	Latch Handle Smith
10	C 1015 A	540.150310	Latch Handle McNeilus
11	CY 1000	WM 2025-000	2 x 18 Single Acting Cylinder
12	B8250		3/4 x 2-1/2" Hex Bolt Gr 8
13	LN 8000		3/4 Locknut
14	B5125		1/2-20 x 1-1/4" Hex Bolt Gr5
15	UW 5000		1/2" Lockwasher
16	B5100		1/2 x 1 Hex Bolt Gr5
17	UW5000		1/2" Lockwasher
18	B 3100		3/8 x 1 Hex Bolt
19	UW 3000		3/8 Lockwasher



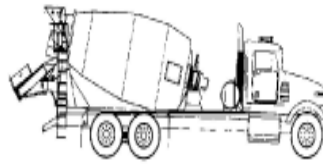
CHUTE PIVOTS, CYLINDERS & CHUTE LOCKS

**CL 2001
MTM - SMITH AIR CHUTE
LOCK ASSY**

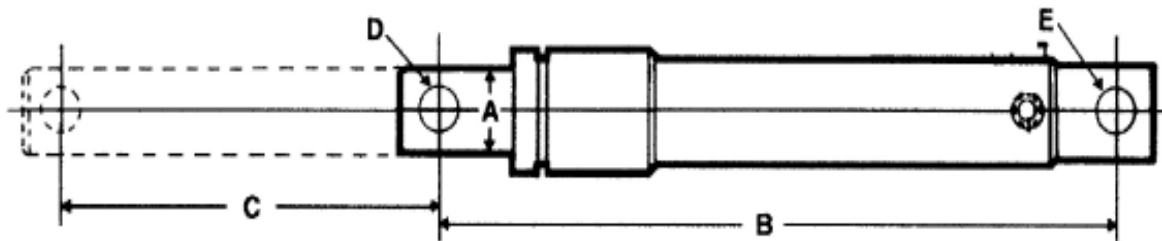


Item #	CMS #	OEM Part#	Description of Part
1	CL 1004	43832050	Smith Brake Plate
1	CL 1004 A	540.151277	MTM Brake Plate
2	CL 1003	400.183122	Air Chamber Type 16
	CL 1003 B	320.151236	Air Chamber Mount Bracket (not shown)
3	CL 1002	540.151315	Chute Lock Base
4	CL 1002 A	540.151320	Chute Lock Cam
5	CL 1000		Mac Air Valve
5	CL 1015	060.85284	MTM Mac Air Valve Assembly
6	CL 1002 C		Spacer Bar
7	CL 1003 A	020.115284	Air Chamber Clevis Assy
8	CSW 1000		On/Off Switch (not shown)
9	SYN 006		3/8" DOT Air Tubing (not shown)



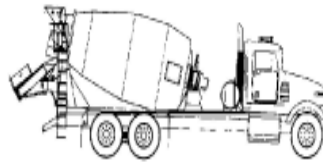


CHUTE PIVOTS, CYLINDERS & CHUTE LOCKS

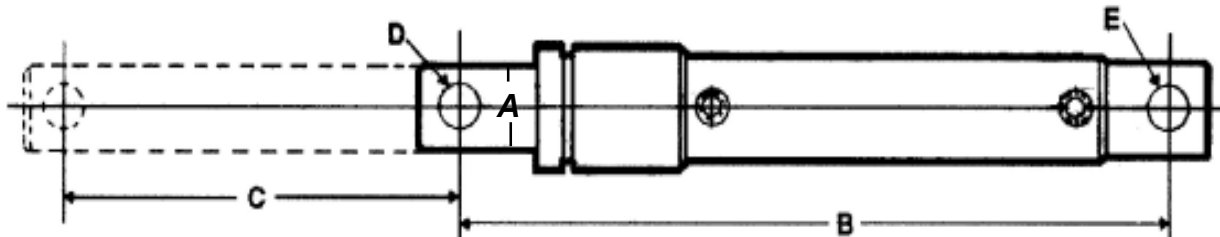


SINGLE ACTING CYLINDERS

<u>CMS #</u>	<u>OEM #</u>	<u>Style</u>	<u>A</u>	<u>B</u>	<u>C</u>	<u>D</u>	<u>E</u>
CY 1000	WM2025 000	MTM/ Smith	2"	25.5"	18"	3/4"	3/4"
CY 1001	102-7530-01	REX	1 1/2"	25.5"	19.5"	1"	3/4"
CY 1002	102-10174-01	REX	2"	25.72"	18.5"	1"	3/4"
CY 1002A	102-50362-01	REX	2"	28-1/4"	20"	3/4"	3/4"
CY 1003	CS-200-20	CCB	2"	29"	20"	3/4"	3/4" Forked
CY 1004	200.107625	MTM	2 1/2"	25.5"	16"	3/4"	3/4"
CY 1004 A	200.107615	MTM	2 1/2"	25"	16"	7/8"	7/8"
CY 1010	43878000	Smith	2 1/2"	25"	16"	3/4"	3/4"

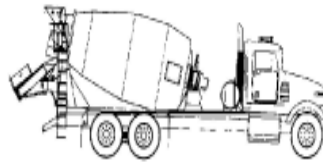


CHUTE PIVOTS, CYLINDERS & CHUTE LOCKS

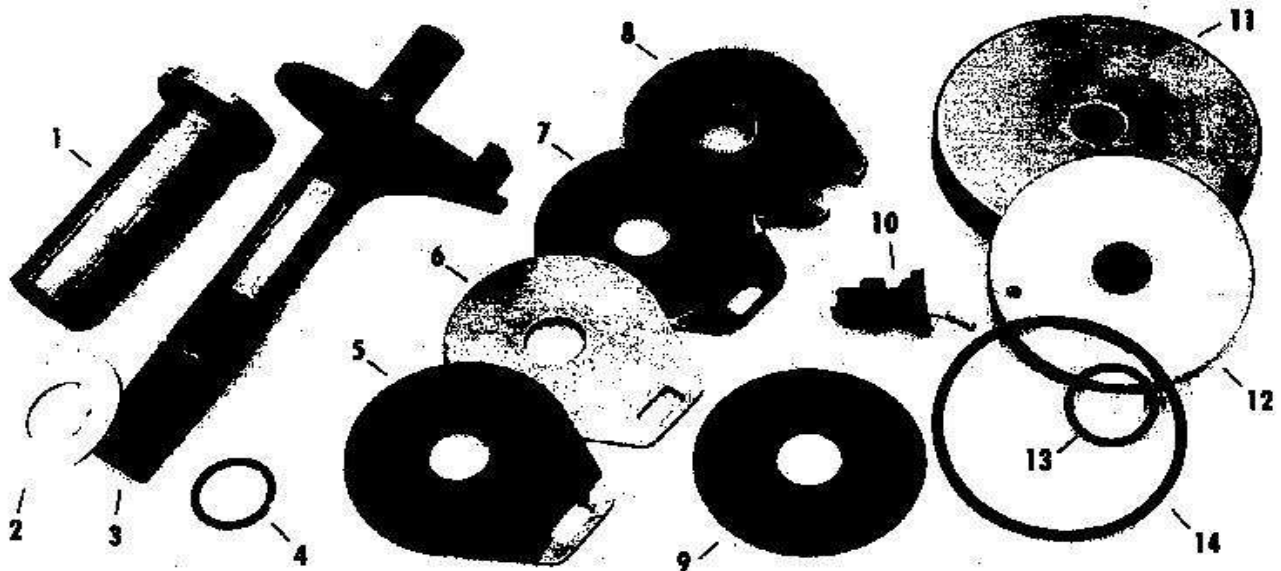


DOUBLE ACTING CYLINDERS

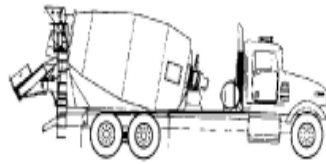
<u>CMS #</u>	<u>OEM #</u>	<u>Description</u>	<u>A</u>	<u>B</u>	<u>C</u>	<u>D</u>	<u>E</u>
CY 1012	43879000	Smith	2 1/2"	25.5"	16"	3/4"	3/4"
CY1004A	1139840 (107615)	MTM	2 1/2"	25-1/4"	16"	7/8"	7/8"
CY 1006	200.107595	MTM	2 1/2"	25-1/4"	16"	3/4"	3/4"
CY 1006 A	1139838 200.107596	MTM	2 1/2"	25-1/4"	16"	7/8"	7/8"
CY 1008	2BH140	Oshkosh Chute Folddown Cylinder					
CY38576	MB-38576	London	2 1/2"	25-1/2"	18"	3/4"	3/4"



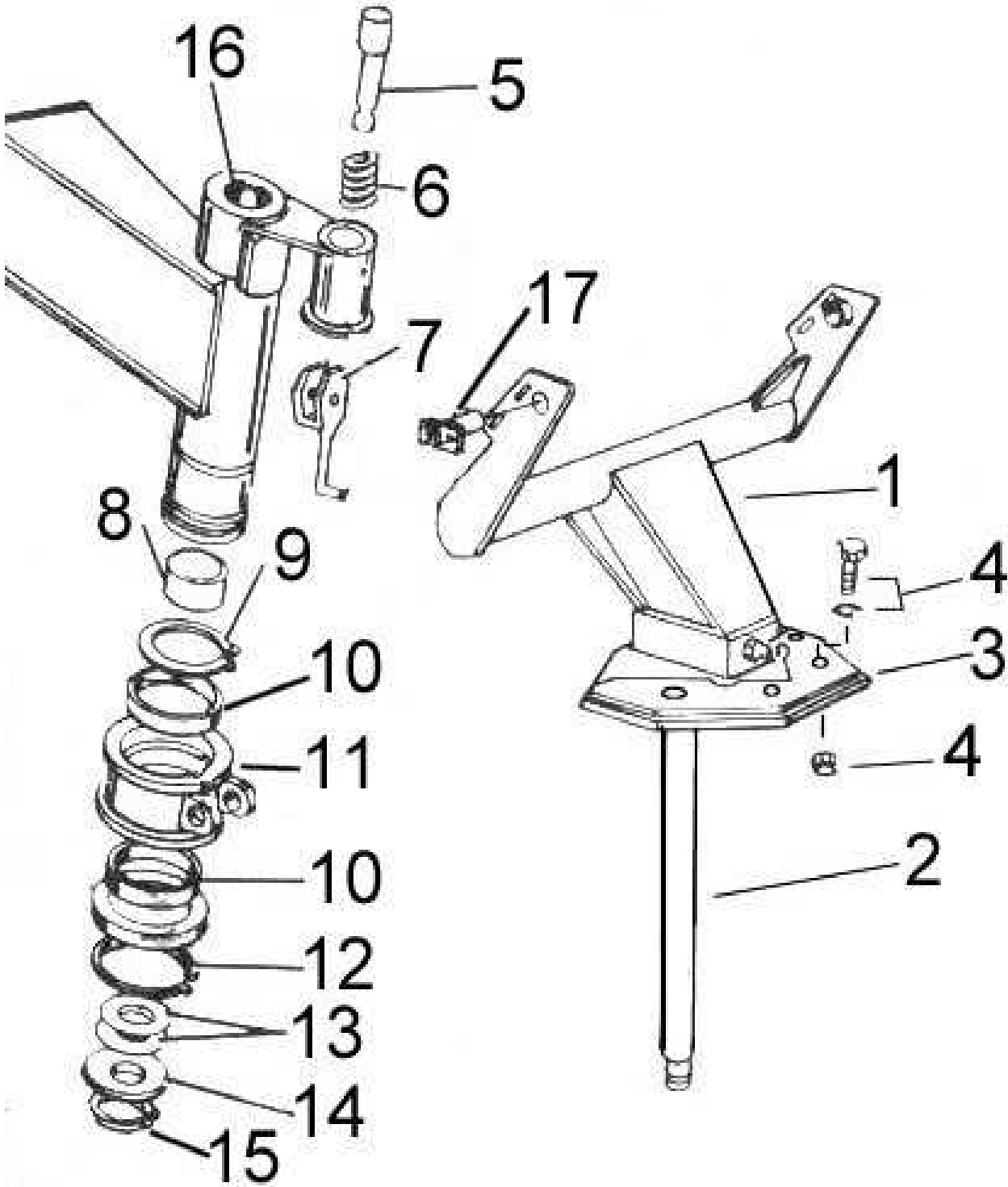
CHUTE PIVOTS, CYLINDERS & CHUTE LOCKS

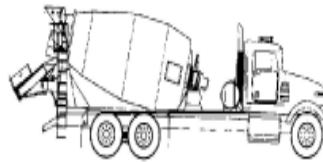


<u>Item #</u>	<u>CMS #</u>	<u>OEM Part#</u>	<u>Description of Part</u>
1	CL 1006 A	5027115	Challenge Chute Pivot Tube Assembly
2	CL 1006 B	1050474	Challenge Chute Brake Nylon Washer
3	CL 1006	5040852	Challenge Chute Brake Shaft Assembly
4	CL 1006 C	1050407	Challenge Chute Brake Lock Ring
5	CL 1012	5040849	Challenge Chute Brake Bonded Plate
6	CL 1014	5041067	Challenge Chute Brake Center Plate
7	CL 1012	5040849	Challenge Chute Brake Bonded Plate
8	CL 1013	5040137	Challenge Chute Brake Top Plate
9	CL 1012 A	1920095	Challenge Chute Brake Friction Pad
10	CL 1021	1520170	Challenge & McNeilus Air Toggle Valve
11	CL 1007	5041374	Challenge Chute Brake Cover
12	CL 1008	5041914	Challenge Air Chute Brake Assembly
13	CL 1011	3209701	Air Brake Small O Ring
14	CL 1010	1690679	Air Brake Large O Ring
15	CL 1009	1031337	Locknut (Not Shown)



CHUTE PIVOTS, CYLINDERS & CHUTE LOCKS

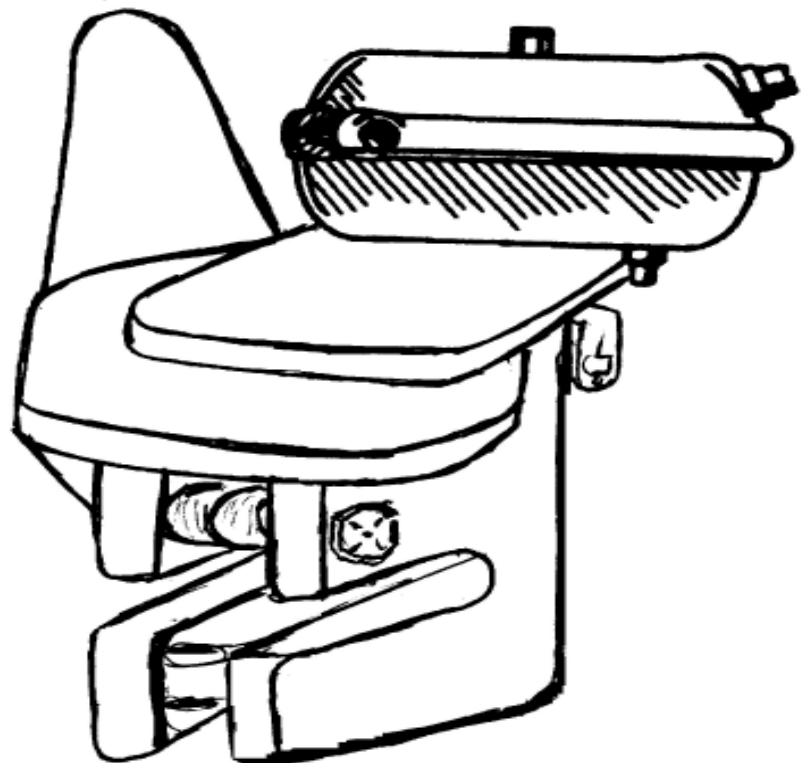


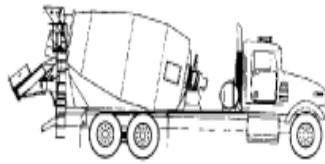


CHUTE PIVOTS, CYLINDERS & CHUTE LOCKS

REX XUP AIR CHUTE LOCK

**CL 2000
REX AIR CHUTE
LOCK ASSY**

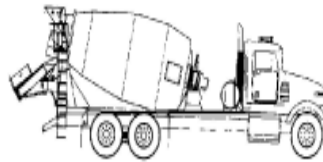




CHUTE PIVOTS, CYLINDERS & CHUTE LOCKS

CYLINDER EXTENSION CY6000





CHUTE PIVOTS, CYLINDERS & CHUTE LOCKS

3323673

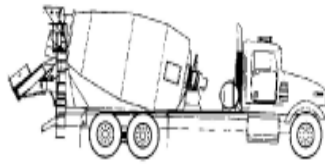
**NEW PART #
3636383**



↑
**1³/₄" diam. x
31¹/₂" stroke**

HYD CHUTE LIFT CYLINDER

Concrete Mixer Supply.com



Mixer Parts

CHUTE PIVOTS, CYLINDERS & CHUTE LOCKS

CMC PIVOT SUPPORT & CHUTE PIVOT

