

## DRUM ROLLERS

# Concrete Mixer Supply.Com

## Section 8

### Roller Description

**McNeilus 3-7/8" Drum Roller**

**McNeilus (MTM) 3-1/4 & 4-1/4" Drum Rollers**

**Smith/London/Oshkosh Drum Roller**

**Rex Drum Roller/Oshkosh-Rex Drum Roller**

**Challenge Drum Roller**

**Advance-Tet Drum Rollers**

**Advance Savage Drum Rollers**

**Rocket Mixer Drum Roller**

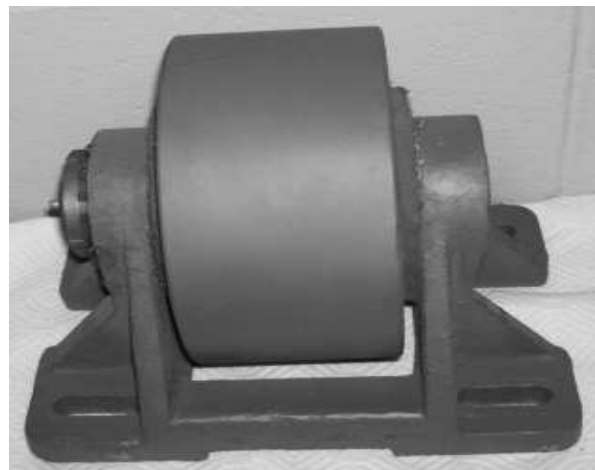
**Jaeger Mixer Drum Roller**

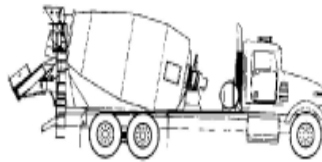
**CMC Drum Roller**

**Grease Block**

**Roller Guards**

**Roller Alignment**





## DRUM ROLLERS

# MTM

3-7/8" McNeilus  
Roller Assembly

Complete Roller  
Assembly

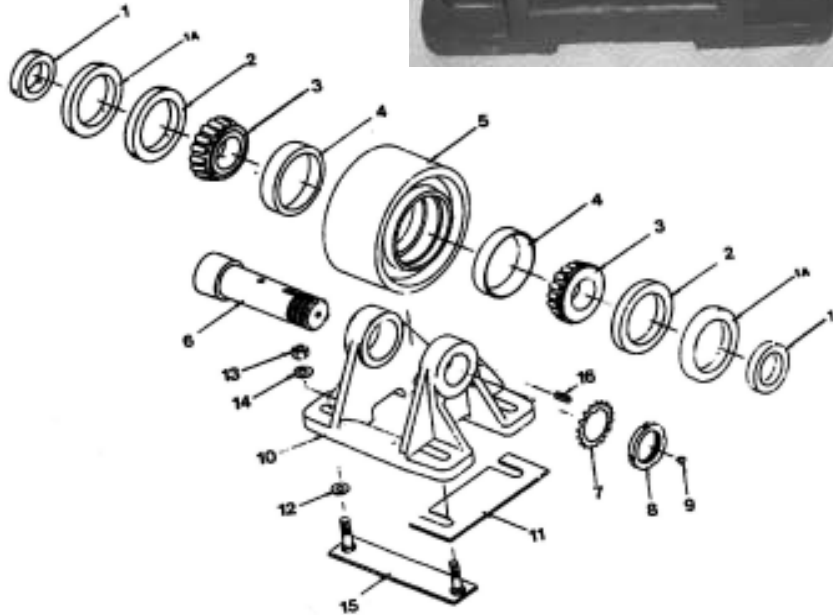
RM 1001  
(220.150440)

Roller Sub Assembly

RM 1000  
(220.157440)

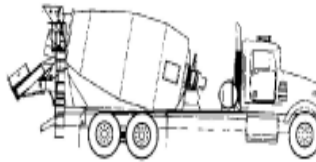
Roller Bearing &

Seal Kit  
RM1000BK



### ROLLER PARTS BREAKDOWN

<u>Item #</u>	<u>CMS #</u>	<u>OEM Part#</u>	<u>Description of Part</u>	<u>Qty</u>
1	RM 1009	080.131433	Roller Spacer	2
1A	RM 1004	100.215258	Felt Seal	2
2	RM 1007	100.215250	Grease Seal (Install lip out)	2
3	RM 1006	080.82213	Cone, Roller Bearing	2
4	RM 1005	080.82214	Cup, Roller Bearing	2
5	RM 1011 A	220.150442	Roller, Bare 3-7/8" Wide	1
6	RM 1010	340.150443	Roller, Shaft	1
7	RM 1003	020.82206	Lockwasher #10	1
8	RM 1002	020.82216	Locknut #10	1
9	HW9262	020-82208	Grease Fitting 1/8"	1
10	RM 1011	320.150441	3-7/8" Roller Bracket	1
11	RM 1008	080.82218	Roller Shim	As Needed
12	UW 5000	020.05365	Washer, 1/2" Hardened	4
13	UW 5000	020.82219	Washer, 1/2" Hardened	4
14	LN 5000	020.05340	Locknut, 1/2" - 13 Gr8 UNC	4
15	RM 1012	020.150425	Bolt Bracket	2



**DRUM ROLLERS**

**SCHWING**

*Roller Assembly*

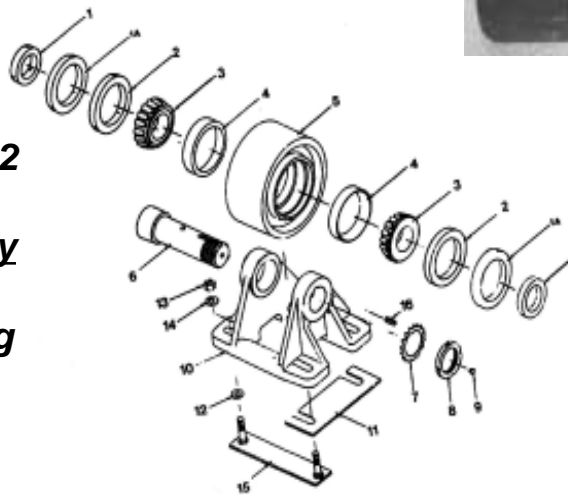


Complete Roller Assembly

**RMS 1000  
Schwing # 30386702**

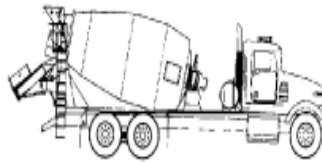
Roller Sub Assembly

**RM 1001  
Includes everything  
less the bracket**



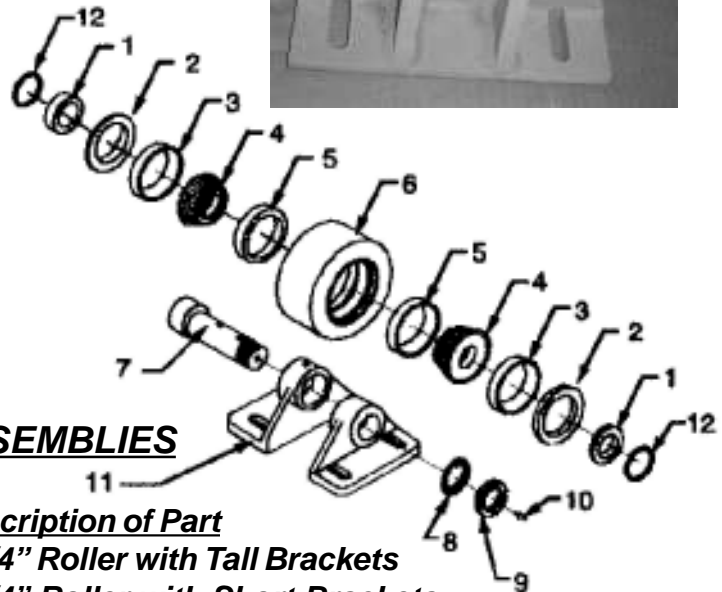
ROLLER PARTS BREAKDOWN

<u>Item #</u>	<u>CMS #</u>	<u>OEM Part#</u>	<u>Description of Part</u>	<u>Qty</u>
1	RM 1009	080.131433	Roller Spacer	2
1A	RM 1004	100.215258	Felt Seal	2
2	RM 1007	100.215250	Grease Seal (Install lip out)	2
3	RM 1006	080.82213	Cone, Roller Bearing	2
4	RM 1005	080.82214	Cup, Roller Bearing	2
5	RM 1011 A	220.150442	Roller, Bare 3-7/8" Wide	1
6	RM 1010	340.150443	Roller, Shaft	1
7	RM 1003	020.82206	Lockwasher #10	1
8	RM 1002	020.82216	Locknut #10	1
9	HW9262	020-82208	Grease Fitting 1/8"	1
10	RM 1011	320.150441	3-7/8" Roller Bracket	1
11	RM 1008	080.82218	Roller Shim	As Needed
12	UW 5000	020.05365	Washer, 1/2" Hardened	4
13	UW 5000	020.82219	Washer, 1/2" Hardened	4
14	LN 5000	020.05340	Locknut, 1/2" - 13 Gr8 UNC	4
15	RM 1012	020.150425	Bolt Bracket	2



# MTM DRUM ROLLERS

**3-1/4" & 4-1/4"**  
**McNeilus - Smith Rollers**

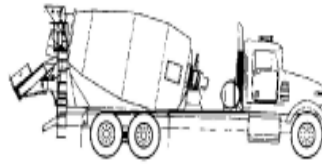


## ROLLER ASSEMBLIES & SUB ASSEMBLIES

<u>CMS #</u>	<u>OEM Part#</u>	<u>Description of Part</u>
R325014	220.82660	3-1/4" Roller with Tall Brackets
R325014A	220.82200	3-1/4" Roller with Short Brackets
R325014B	220.82665	3-1/4" Roller Sub Assy Bearings & Seals
R4251001A	220.82667	4-1/4" Roller With Tall Brackets
R4251001B	220.82200A	4-1/4" Roller with Short Brackets
R4251001	220.82666	4-1/4" Roller Sub Assy Bearings & Seals

## ROLLER PARTS BREAKDOWN

<u>Item #</u>	<u>CMS #</u>	<u>OEM Part#</u>	<u>Description of Part</u>	<u>Qty</u>
1	R32502	080.82210	Roller Spacer 3-1/4" or 4-1/4"	2
2	R32506	080.82211	Retainer Oil Seal	2
3	R32505	080.82212	Roller Grease Seal	2
4	RM 1006	080.82213	Cone, Roller Bearing	2
5	RM 1005	080.82214	Cup, Roller Bearing	2
6	R325	220.82201	3-1/4" Bare Roller	1
6	R4251000	220.82202	4-1/4" Bare Roller	1
7	R32501	340.82203	3-1/4" Roller Shaft	1
7	R4251002	340.82207	4-1/4" Roller Shaft	1
8	RM 1003	020.82206	Lockwasher #10	1
9	RM 1002	020.82216	Locknut #10	1
10	HW9262	020.82208	Grease Fitting	1
11	R4251003	320.82661	3-1/4"- 4-1/4" Tall Roller Bracket w/hole	2
11	R4251004	320.82661	3-1/4"- 4-1/4" Low Roller Bracket w/hole	2
12	R32503	100.82209	O'Ring	2

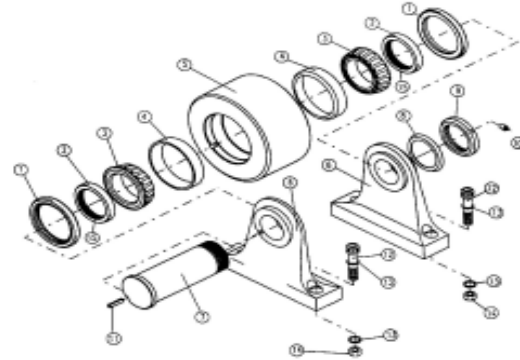


**SMITH  
OSHKOSH  
LONDON**

**DRUM ROLLERS**

Complete Roller Assembly

**RS 1002 (MD-32123)**

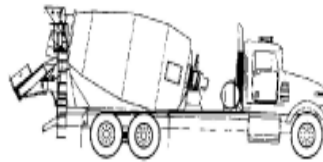


**Roller Sub Assembly**  
**RS1001AK (Less Roller Bracket)**



**ROLLER PARTS BREAKDOWN**

<u>Item #</u>	<u>CMS #</u>	<u>OEM Part#</u>	<u>Description of Part</u>	<u>Qty</u>
1	RS 1008	MM-22769	Roller Seal	2
2	RS 1009	MA-28859	Roller Spacer	2
3	RS 1010	MM-6006	Roller Bearing Cup	2
4	RS 1011	MM-6007	Roller Bearing Cone	2
5	RS 1003	MC-28852	Bare Roller	2
6	RS 1013	MD-32089	Roller Bracket	2
7	RS 1012	MB-29142	Roller Shaft	1
8	RS 1004	MM-6009	Lockwasher #13	1
9	RS 1007	MM-6008	Locknut #13	1
10	HW 9262	HH0232-001	Grease Fitting	1
11	RS 1005	HH0104-001	Roll Pin	1
12	B7300	HH0087-134	Hex Head Bolt, 5/8-11 x 2-3/4" Gr8	4
13	UW7000	HH0613-002	Hardened Washer, 5/8"	16
14	LN7000	HH0086-005	Locknut, 5/8-11 UNC	4
15	RS 1006	HH0116-053	O'Ring	2



**DRUM ROLLERS**

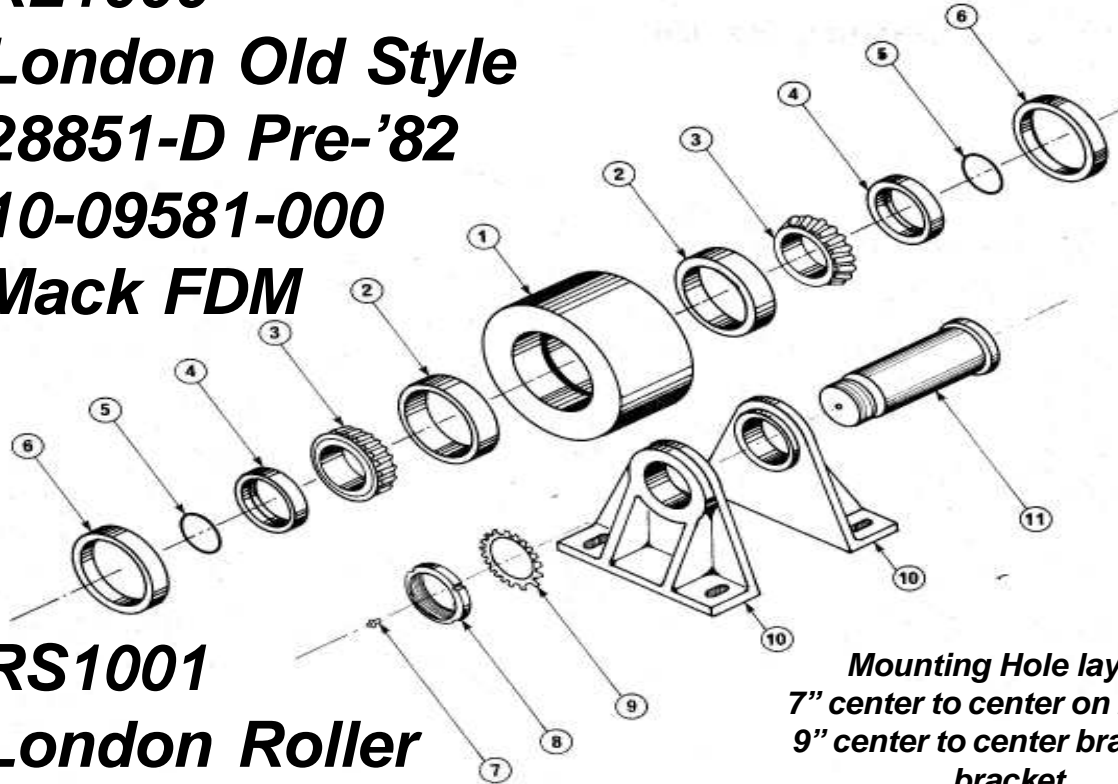
**RL1000**

**London Old Style**

**28851-D Pre-'82**

**10-09581-000**

**Mack FDM**



**RS1001**

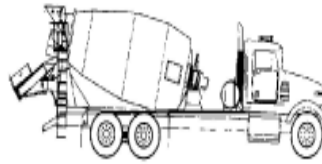
**London Roller**

**Sub Assy**

Mounting Hole layout  
7" center to center on bracket  
9" center to center bracket to  
bracket

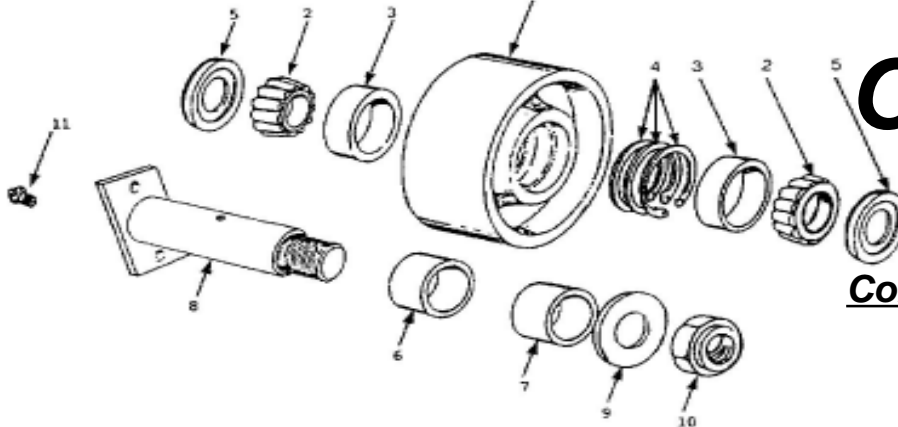
**ROLLER PARTS BREAKDOWN**

<u>Item #</u>	<u>CMS #</u>	<u>OEM Part#</u>	<u>Description of Part</u>	<u>Qty</u>
1	RS 1003	MC-28852	Bare Roller	1
2	RS 1010	MM-6006	Roller Bearing Cup	2
3	RS 1011	MM-6007	Roller Bearing Cone	2
4	RS 1009	MA-28859	Roller Spacer	2
5	RS 1006	HH0116-053	O'Ring	2
6	RS 1008	MM-22769	Roller Seal	2
7	HW 9262	HH0232-001	Grease Fitting	1
8	RS 1007	MM-6008	Locknut #13	1
9	RS 1004	MM-6009	Lockwasher #13	1
10	RL1001	28853-E	Roller Bracket	2
11	RS 1012	MB-29142	Roller Shaft	1
12	RS 1005	HH0104-001	Roll Pin	1



**DRUM ROLLERS**

**REX  
OSHKOSH**



Complete Roller Assembly

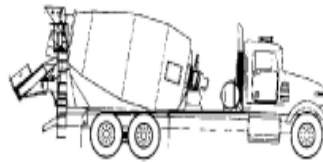
**RR 1000**

ROLLER PARTS BREAKDOWN (602-05026-01)

<u>Item #</u>	<u>CMS #</u>	<u>OEM Part#</u>	<u>Description of Part</u>	<u>Qty</u>
1	RR 1001	402-01631-02	Rex Roller Bare	1
2	RR 1005	X7649	Rex Roller Cone	2
3	RR 1006	298-00200-02	Rex Roller Cup	2
4*	RR 1018	298-07511-34	Snap Rings *	3
5	RR 1007	298-00201-02	Labyrinth Closure	2
6-7	RR 1010	102-10103-03	Rex Roller Spacer 2-1/16"	1
6-7	RR 1011	102-06510-01	Rex Roller Spacer 1-7/16"	1
6-7	RR 1012	102-06511-01	Rex Roller Spacer 1-5/8"	1
6-7	RR 1013	102-10103-01	Rex Roller Spacer 1-13/16"	1
6-7	RR 1014	102-10103-02	Rex Roller Spacer 1-1/2"	1
8	RR 1002	502-02396-80	Rex Roller Shaft 7-1/2"	1
8	RR 1003	502-08424-80	Rex Roller Shaft 8"	1
8	RR 1004	102-31156-01	Rex Roller Shaft Round Head	1
9	RR 1009	398-20000-31	Rex Roller Washer	1
10	RR 1008	X 202866	Rex Roller Nut	1
11		398-08000-05	Grease Fitting	1

\* some rollers do not require these





**DRUM ROLLERS**

**CHALLENGE - 5002358**  
**KIMBLE - S15-000F0-00**  
**CBMW- 50353000**

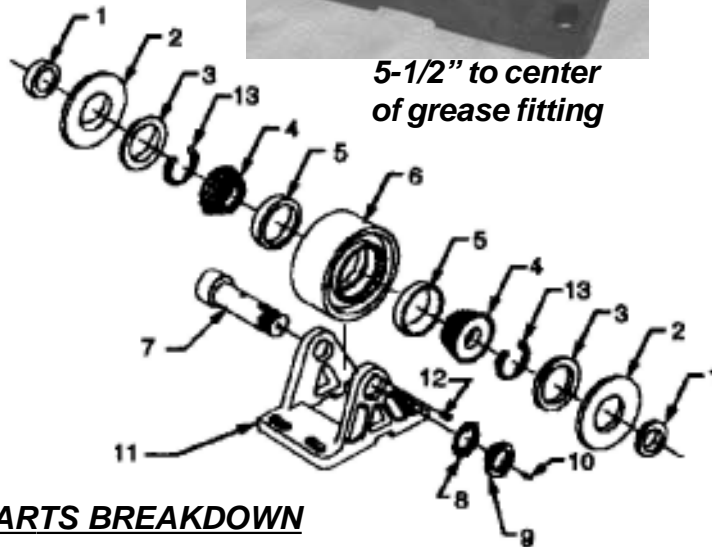


5-1/2" to center of grease fitting

**Complete Roller Assembly**  
**RCC 1014**

**Roller Sub Assembly with bearings and seals**  
**RCC 1015AK**

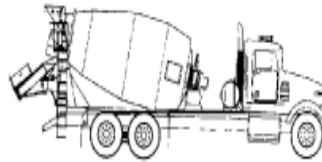
**Bearings, Seals & Felt Kit**  
**RCC1020BK**



**ROLLER PARTS BREAKDOWN**

<u>Item #</u>	<u>CMS #</u>	<u>OEM Part#</u>	<u>Description of Part</u>	<u>Qty</u>
1	RCC 1000	5021192	Roller Spacer	2
2	RCC 1001	1690156	Roller Felt Seal	2
3	RCC 1004	1690157	Grease Seal	2
4	RCC 1003	1300139	Bearing Cone	2
5	RCC 1002	1300138	Bearing Cup	2
6	RCC 1016	5022900	Bare Roller	1
7	RCC 1005	5021191	Roller Shaft	1
8	RM 1003	1050371	Lockwasher #10	1
9	RM 1002	1030670	Locknut #10	1
10	HW 9262		Grease Fitting	1
11	RCC 1017	5022847	Roller Bracket	1
13	RCC1006	1050372	Snap Ring	2
	RCC1020BK	5002358BK	Bearings, Seals & Felt Kit	





**DRUM ROLLERS**

**CBMW Mixers  
High Bracket**



6-1/2" to center  
of grease fitting

Complete Roller Assembly

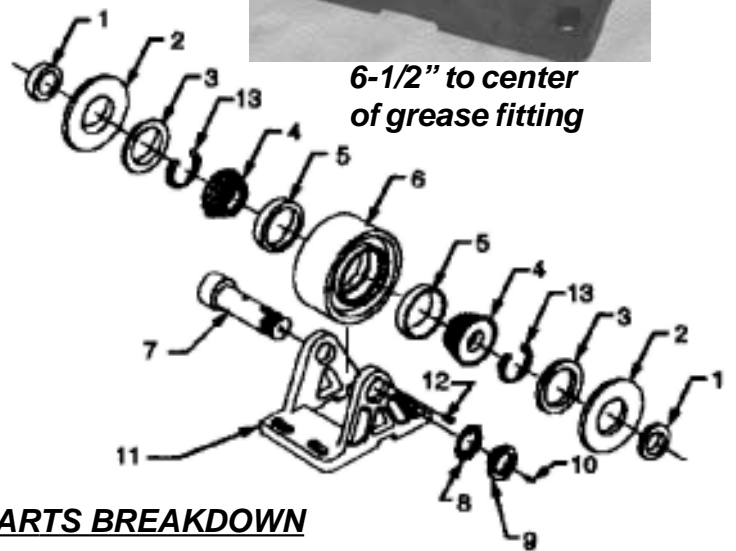
**RCC2000  
(90353000)**

Roller Sub Assembly  
with bearings and seals

**RCC 1015AK**

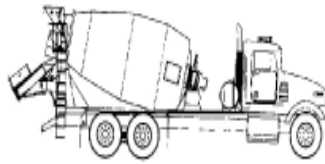
Bearings, Seals & Felt Kit

**RCC1020BK**



ROLLER PARTS BREAKDOWN

<u>Item #</u>	<u>CMS #</u>	<u>OEM Part#</u>	<u>Description of Part</u>	<u>Qty</u>
1	RCC 1000	5021192	Roller Spacer	2
2	RCC 1001	1690156	Roller Felt Seal	2
3	RCC 1004	1690157	Grease Seal	2
4	RCC 1003	1300139	Roller Bearing Cone	2
5	RCC 1002	1300138	Roller Bearing Cup	2
6	RCC 1016	5022900	Bare Roller	1
7	RCC 1005	5021191	Roller Shaft	1
8	RM 1003	1050371	Lockwasher #10	1
9	RM 1002	1030670	Locknut #10	1
10	HW 9262		Grease Fitting	1
11	RCC2009	903530002	Roller Bracket	1
13	RCC1006	1050372	Snap Ring	2
	RCC1020BK	5002358BK	Bearings, Seals & Felt Kit	

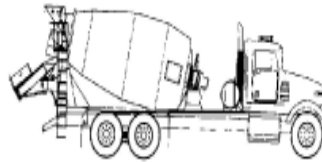


**DRUM ROLLERS**

**Challenge Roller**  
**Kimble Roller**  
**CBMW Roller**



**RCC1006 Snap Ring**  
**OUTSIDE DIAMETER - 4.803"**  
**Ring Thickness - .072"**



**DRUM ROLLERS**

**ROCKET  
OSHKOSH**

Complete Roller Assembly

**RO 1000  
(10460)**

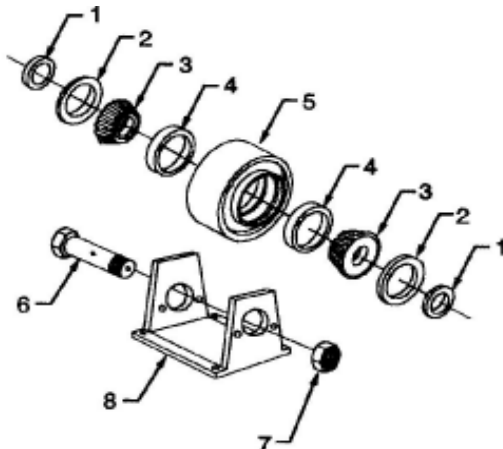
Roller Sub Assembly  
with bearings & seals

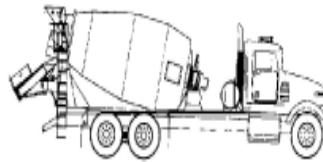


**RO 1001**

ROLLER PARTS BREAKDOWN

<u>Item #</u>	<u>CMS #</u>	<u>OEM Part#</u>	<u>Description of Part</u>	<u>Qty</u>
1	RO 1002	10463	Roller Spacer	2
2	RO 1003	9188	Grease Seal	2
3	RO 1004	10461	Bearing Cone	2
4	RO 1005	10462	Bearing Cup	2
5	RO 1006	9192	Bare Drum Roller	2
6	RO 1007	9187	Roller Shaft	1
7	RO 1008	9193	Slotted Nut	1
8	RO 1009	10168	Roller Bracket	1





DRUM ROLLERS

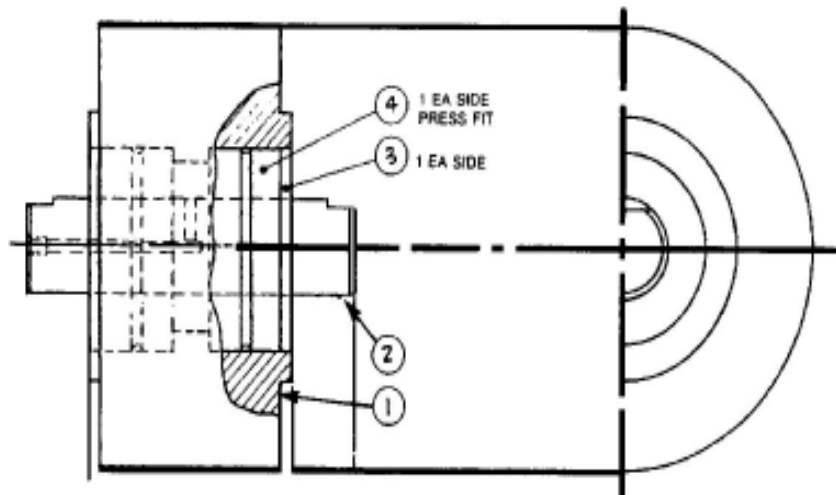
MACK SAVAGE  
ADVANCE  
TET

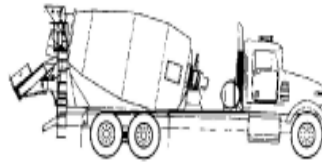
Complete Roller Assembly

RA 1005 ( Advance # 1080030)



<u>Item #</u>	<u>CMS #</u>	<u>OEM Part#</u>	<u>Description of Part</u>	<u>Qty</u>
1	RA 1003	1080029	Bare Roller	1
2	RA 1002	1080035	Roller Shaft	1
3	RA 1001	1080043	Dust Seal	2
4	RA 1000	22310	Roller Bearing	2





**DRUM ROLLERS**

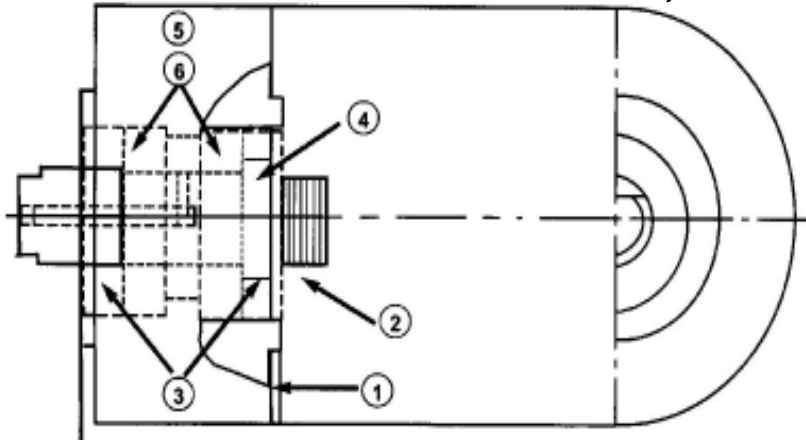


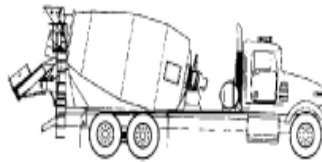
**ADVANCE  
NEW STYLE**

Complete Roller Assembly

**RA 2000 (Advance # 17025)**

<u>Item #</u>	<u>CMS #</u>	<u>OEM Part#</u>	<u>Description of Part</u>	<u>Qty</u>
1	RA 2006		Drum Roller	1
2	RA 2004	12599	Roller Shaft	1
3	RA 2003	13303	Grease Seals	2
4	RA 2005	12600	Spacer	2
5	RA 2002	454 (13375)	Bearing Cup	2
6	RA 2001	462 (13397)	Bearing Cone	2
	RR1008		Locknut	1
	RR1009		Washer	1
	12591		Plate, Retainer	1





**DRUM ROLLERS**

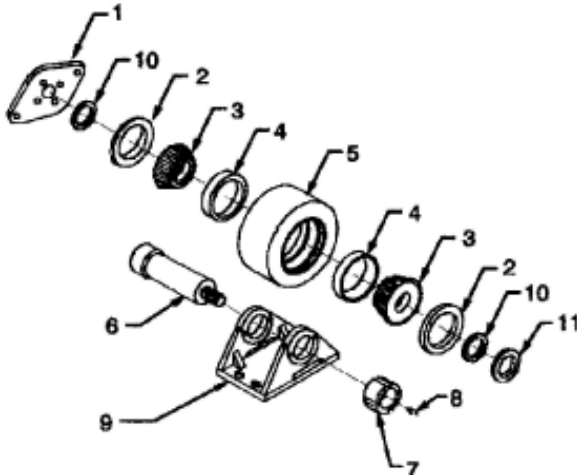
**JAEGER**

Complete Roller Assembly

**RJ 1002  
(80703-91)**

Roller Sub Assembly  
with bearings and seals

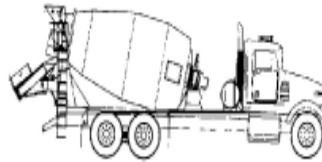
**RJ 1001**



ROLLER PARTS BREAKDOWN

<u>Item #</u>	<u>CMS #</u>	<u>OEM Part#</u>	<u>Description of Part</u>	<u>Qty</u>
1	RJ 1011	JAE-59152-1	End Cap	1
2	RJ 1004	National 416137	Grease Seal	2
3	RJ 1005	Timken 3928	Bearing Cone	2
4	RJ 1006	Timken 3982	Bearing Cup	2
5	RJ 1007	JAEROLL	Bare Drum Roller	1
6	RJ 1008	JAE-80702-1	Roller Shaft	1
7	RJ 1009		Slotted Nut	1
8	HW 9262		Grease Fitting	1
9	RJ 1000	JAE-59158-1	Roller Bracket	1
10	RJ 1003	JAE-80699-1	Roller Spacer	2
11	RJ 1010	JAE-59150-1	Retainer	1





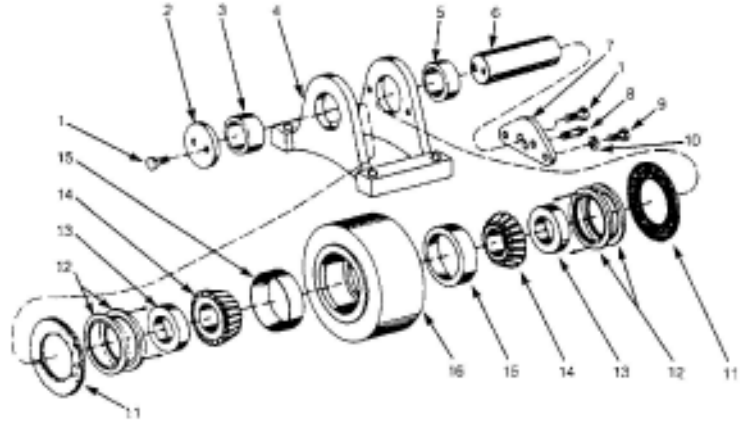
**DRUM ROLLERS**

**CMC**

**Complete Roller Assembly**

**RCMC 1014  
(6883)**

**Roller Sub Assembly with Bearings & Seals**

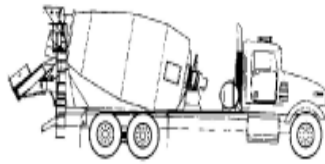


**RCMC 1015**

**ROLLER PARTS BREAKDOWN**

<b><u>Item #</u></b>	<b><u>CMS #</u></b>	<b><u>OEM Part#</u></b>	<b><u>Description of Part</u></b>	<b><u>Qty</u></b>
1	B5125		Hex Bolt, 1/2-13 x 1-1/4"	3
2	RCMC 1008	32366	Adjusting Washer	1
3	RCMC 1004	35677	Spacer 1" Long	1
4	RCMC 1010	6863	Roller Stand	1
5	RCMC 1005	34993	Spacer 3/4" Long	1
6	RCMC 1009	32369	Roller Shaft 6-3/4" Long	1
7	RCMC 1007	32365	Retainer	1
8	HW 9262 A	1877	Grease Fitting	1
9	B 5124		Hex Bolt, 1/2-13 x 1"	2
10	LW 5000	M3414	Lockwasher 1/2"	2
11	RCMC 1000	9087	Felt Seals	2
12	RCMC 1001	9088	Grease Seals	2
13	RCMC 1006	34991	Spacer	2
14	RCMC 1003	8998	Bearing Cone	2
15	RCMC 1002	8999	Bearing Cup	2
16	RCMC 1011	FSR 4473	Drum Roller	1

**Concrete Mixer Supply.com**



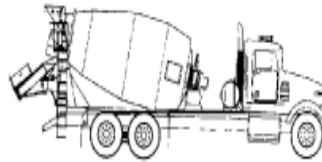
**Mixer Parts**

**RCMC1014  
CMC ROLLER ASSY  
CMC # A-6883**

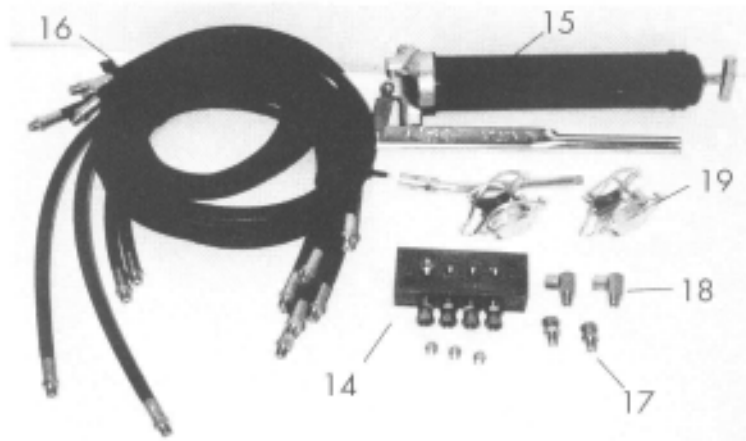
## **DRUM ROLLERS**





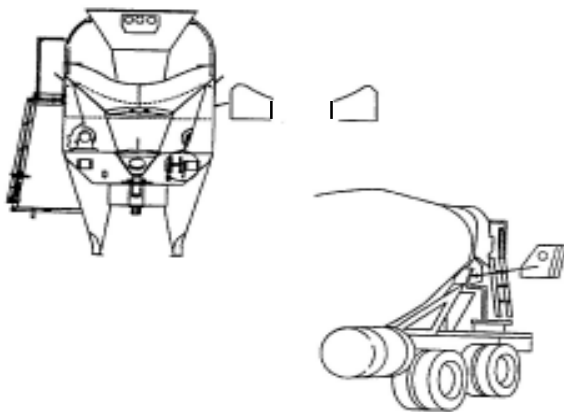


**DRUM ROLLERS**  
**Roller and Pivot Grease System**  
**CMS Part # R 1000**

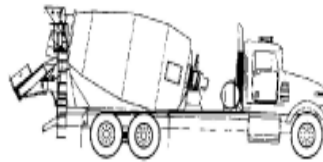


<u>Item #</u>	<u>CMS #</u>	<u>Description of Part</u>	<u>Qty</u>
14	R 1001	5 Station Grease Block	1
15	R 1002	Standard Grease Gun	1
16	R 1003	Grease Hoses	5
17	R 1004	1/8 Fitting Straight	5
18	R 1005	1/8" Fitting 90 Degree	5
19	R 1006	Grease Gun Mounting Bracket	1 Set

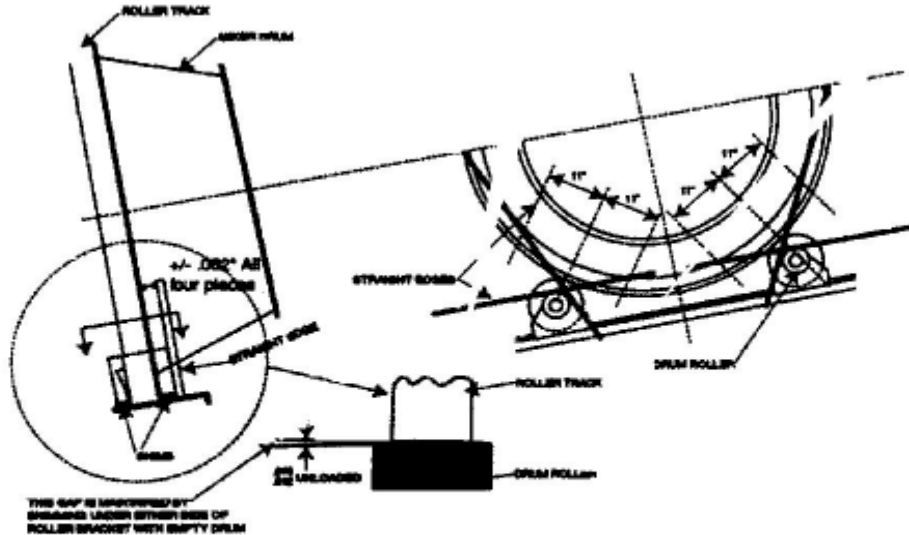
**Roller Guards**  
**CMS Part # R 1010**



**R1000  
 ROLLER  
 SPANNER  
 WRENCH**



## DRUM ROLLERS



### DRUM ROLLER ADJUSTMENT

Two tapered roller bearings and seals that protect them from water and dirt come with each drum roller. Thoroughly clean the drum roller assembly before installing new bearings. Pack the bearings with lubricant.

#### TO TAKE UP BEARINGS

Tighten the bearing nut until the roller cannot be turned by hand, then back off until the roller turns with a slight drag. Make sure that the face contact of the track and roller is flat and does not allow light to show through the contact when holding a rated load.

#### ALIGNING UNLOADED DRUM ROLLER

Place shims under either side of the roller bracket to maintain a .012 to .015" space.

#### ALIGNING THE ROLLERS

Make sure that the drum rollers run parallel with the roller track. Set the rollers using a minimum 12" long straight knife edge. Match the straight edge with the flat surface of the roller track while working from the rear face of each roller ( see above ). There is a +/- .062 ( or 1/16" ) tolerance from the face of the roller to the roller track.



**RM1001  
McNEILUS 3-7/8  
Assembly  
220.150440**

***Engineered  
to be just  
like the original  
with same  
bearings,  
spacers, shaft  
and seals.***

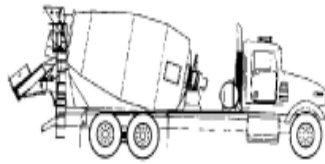
***Rollers are forgings  
surface is hardened***



**RS1002  
Smith/London  
Roller  
MD-32123**

***pre greased  
ready to install***

*Concrete Mixer Supply.com*



*Mixer Parts*

**DRUM ROLLERS**

**RCC1014**

**5002358**

**Challenge Roller**

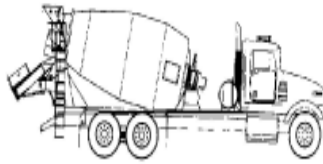


***www.concretemixersupply.com***

8-20

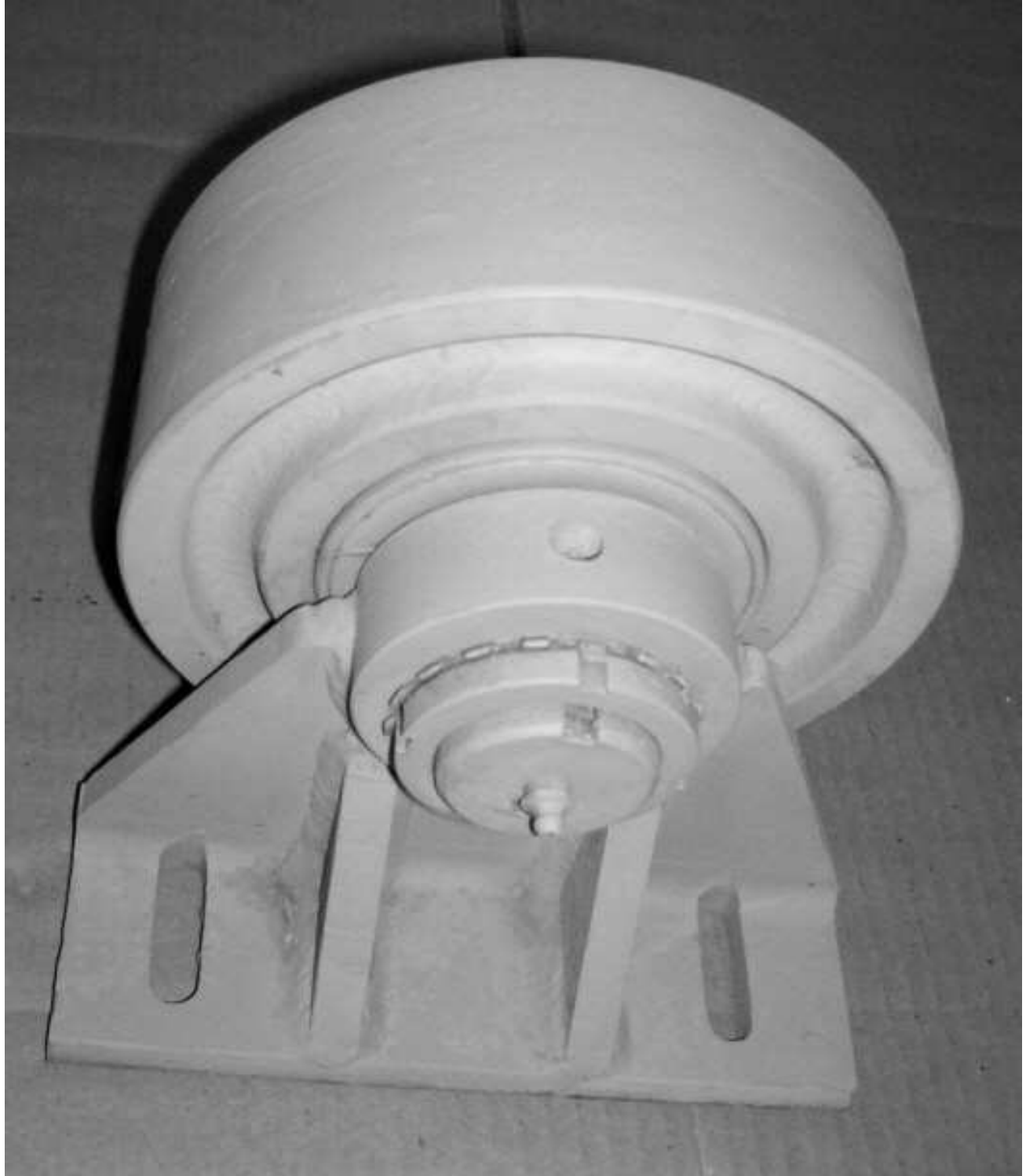
***877-254-0715***

**Concrete Mixer Supply.com**



**Mixer Parts**

# **OSHKOSH DRUM ROLLERS**



**[www.concretemixersupply.com](http://www.concretemixersupply.com)**

8-21

**877-254-0715**