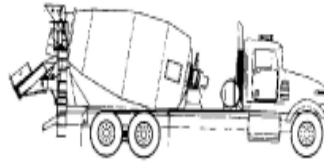


Concrete Mixer Supply.com



Mixer Parts

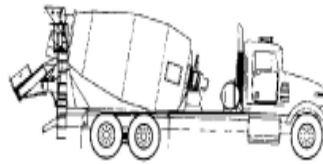
FENDERS

Concrete Mixer Supply.Com

SECTION 10

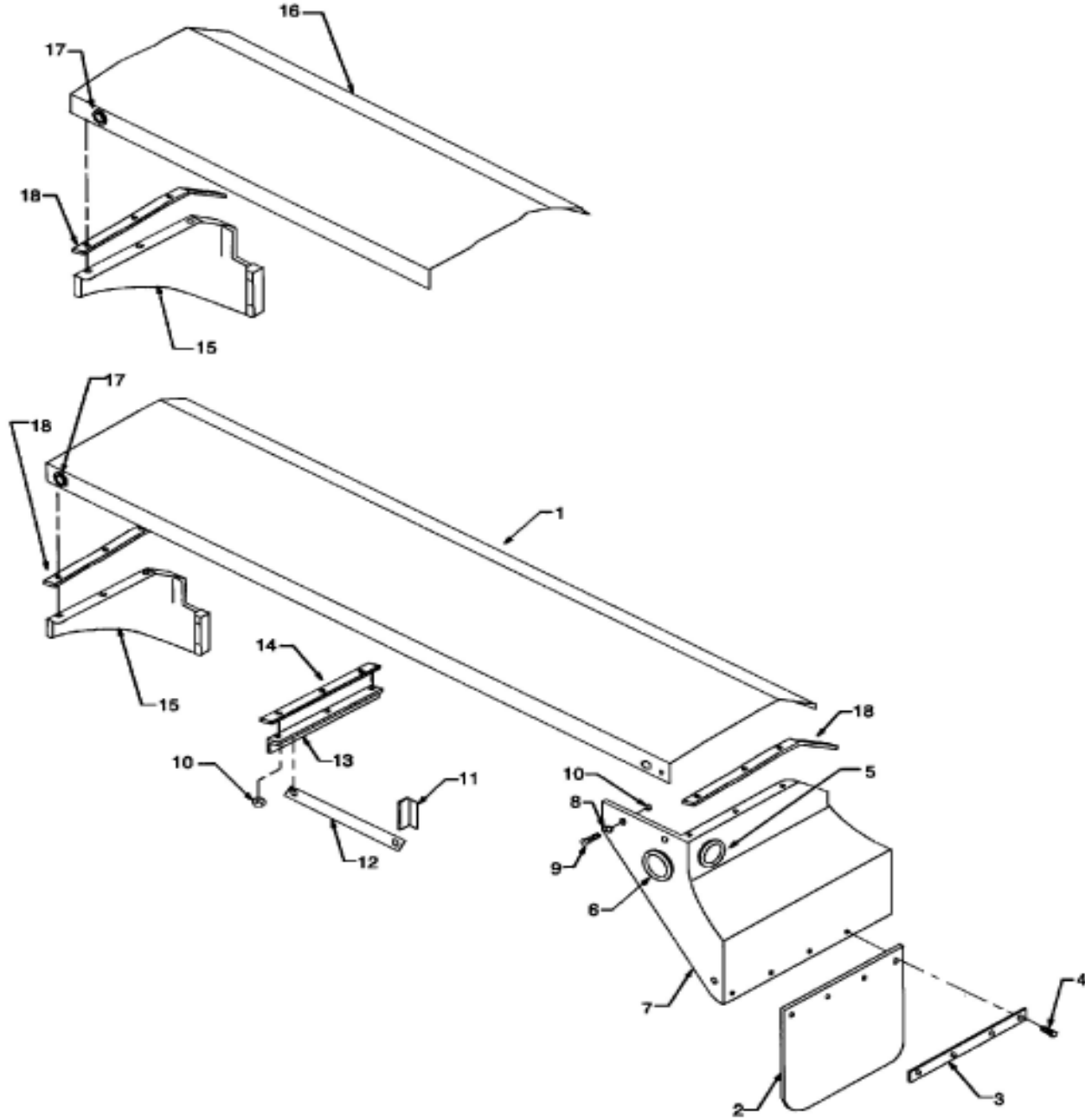
Mixer Truck Fenders

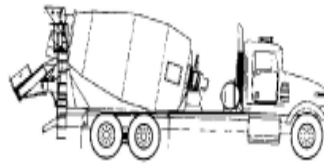




FENDERS

McNeilus Style Fender Arrangement

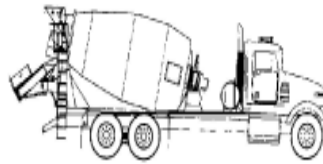




FENDERS

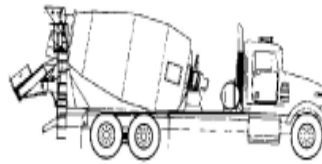
McNeilus Style Fenders & Parts stocked by Concrete Mixer Supply

<u>Item#</u>	<u>CMS #</u>	<u>OEM Part#</u>	<u>Description of Part</u>
1	FM 1004 A	440.152749	Steel Fender Top 107" 14Ga
1	FM 1004 B	440.152846	Steel Fender Top 120" 14Ga
1	FM 1005 A	440.152809.070	Steel Pusher Fender Top 70" 14Ga
1	FM 1005 B	440.152809.096	Steel Pusher Fender Top 96" 14Ga
2	MUD 1001	120.82651	Mud Flap 24" x 24"
2	MUD 1002		Mud Flap 24" x 30"
3	MUD 1003	320.82652	Mud Flap Bracket
4	B 1100	020.1200023.1000	1/4-20 x 1" Hex Bolt
5	LT 1007	060.110074	4" Recessed Red Light
5	LT 1008	060.110063	4" Grommet
6	LT 1000	060.110144	2-1/2" Recessed Red Light
6	LT 1003	060.1100590	2-1/2" Grommet
7	FM 1001	440.152005	Rear Fender Support RH
7	FM 1003	440.152006	Rear Fender Support LH
8	FM 1014	020.100570	Rubber Backed Fender Washer
9	B 2125S	020.120124.1000	5/16-18 x 1-1/4" Hex Bolt Stainless
10	LN 2000	020.120199	5/16" Locknut
11	FM 1012	320.84007	Center Brace Angle
12	FM 1013	320.84604	Center Strap
13	FM 1011	440.152717	Center Fender Brace
14	FM 1016	120.84391	Rubber Cushion Strip
15	FM 1000	440.152000	Front Fender Support RH
15	FM 1002	440.152001	Front Fender Support LH
16	FM 1005	440.152809.070	70" Triaxle Fender Extension
16	FM 1006	440.152809.096	96" Triaxle Fender Extension
17	LT 1001	060.110071	2-1/2" Recessed Amber Light
17	LT 1003	060.1100590	2-1/2" Grommet
18	FM 1015	120.84336	Fender Ends Rubber Cushion Strip
	FM1020		Fender Bolt Kit - SS Bolts
MTM Old Style One Piece Fenders			
	FM 1007	440.82350	100" Fender PS
	FM 1008	440.82360	100" Fender DS
	FM 1009	440.10070	108" Fender PS
	FM 1010	440.10080	108" Fender DS



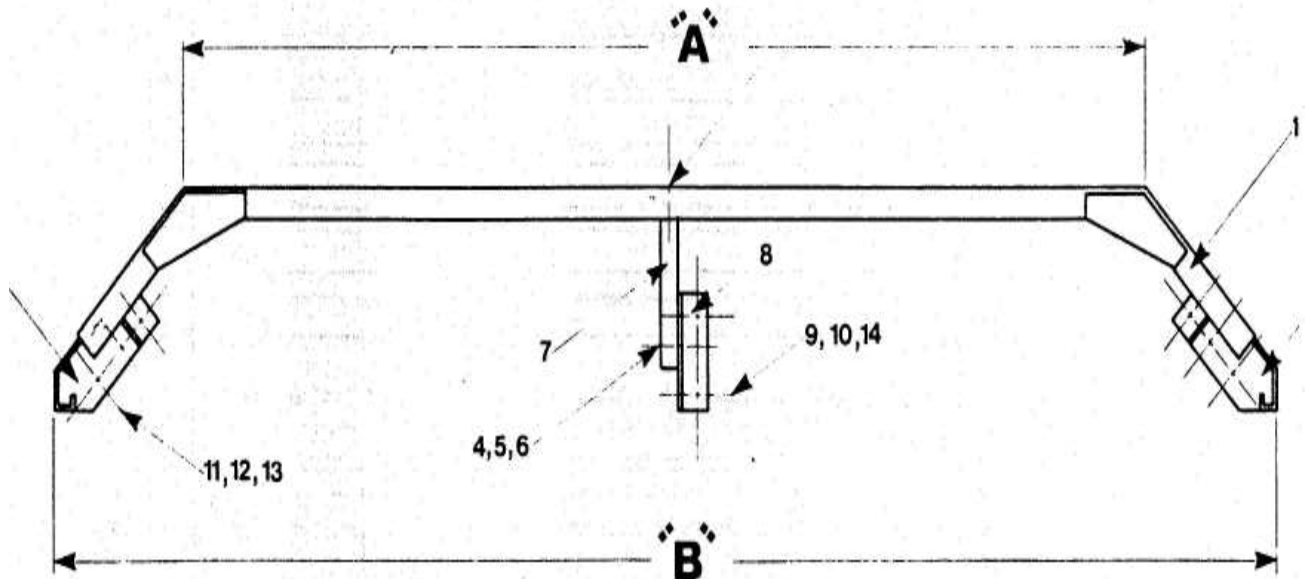
FENDERS





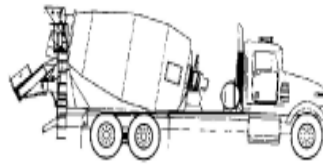
FENDERS

SMITH OLD STYLE MIXER FENDER FS245900B



Dimension A _____"

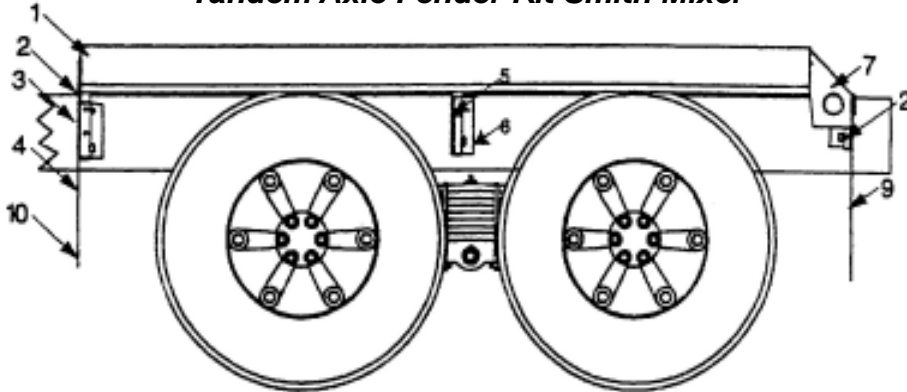
Dimension B _____"



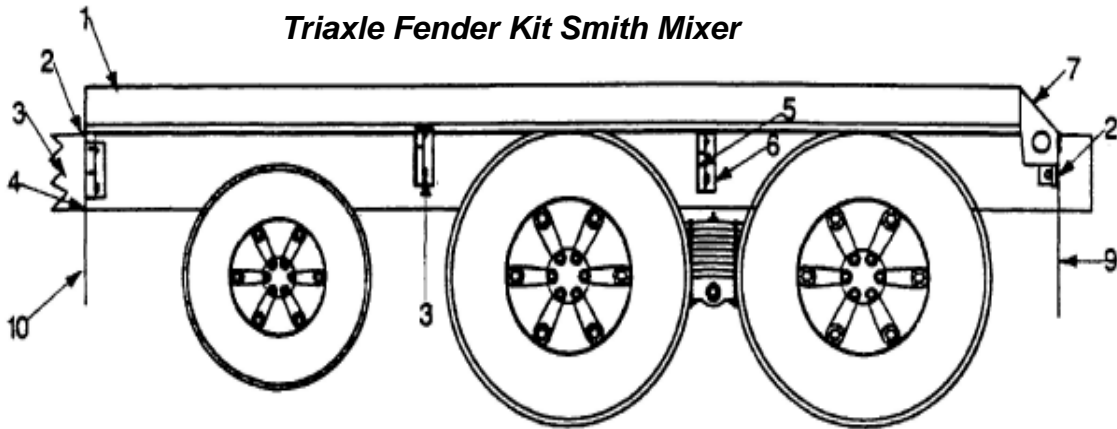
FENDERS

TL Smith Style Fender Arrangement

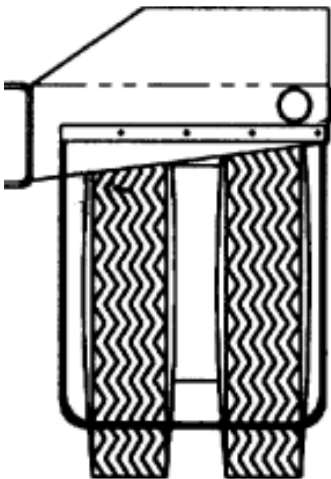
Tandem Axle Fender Kit Smith Mixer



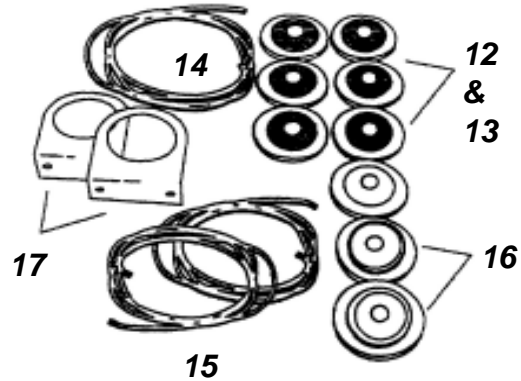
Triaxle Fender Kit Smith Mixer

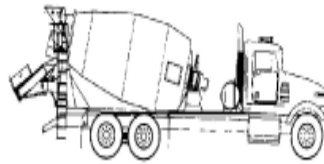


Truck Lite Marker Light Kit Smith Mixer



View from rear of a Smith Fender



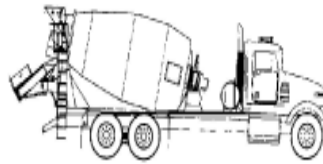


FENDERS

TL Smith Style Fender Arrangement

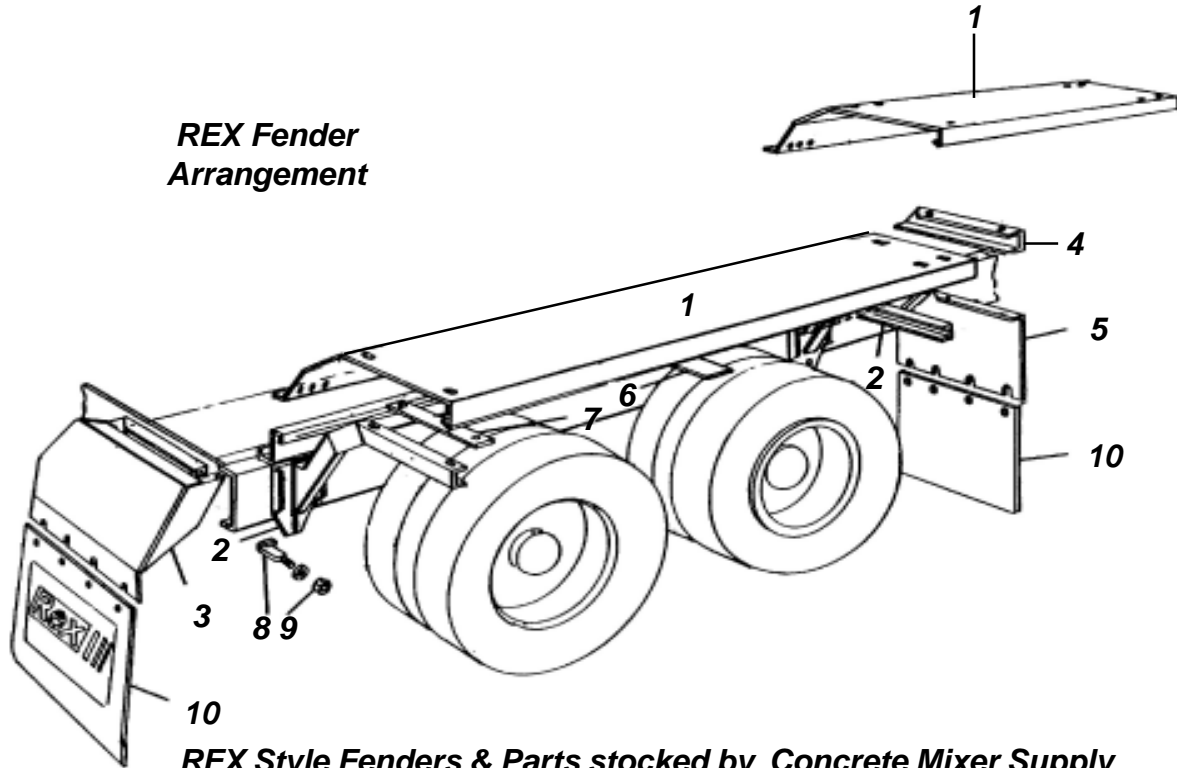
Smith Style Fenders & Parts stocked by Concrete Mixer Supply

<u>Item#</u>	<u>CMS #</u>	<u>OEM Part#</u>	<u>Description of Part</u>
1	FS 1007 A	43766065	14Ga Steel Fender Top 112" Tandem
1	FS 1007 B	43766065	10Ga Steel Fender Top 112" Tandem
1	FS 1008 A	43766067	14Ga Steel Fender Top 168" Tandem
1	FS 1008 B	43766067	10Ga Steel Fender Top 168" Tandem
2	MUD 1004	1401000	Mud Flap Bar
3	FS 1001	43766077	RH Front Fender Support Bracket
3	FS 1004	43766076	LH Front Fender Support Bracket
4	FS 1012	3457000	Mud Flap Hoop
5	FS 1002	43766068	RH Center Fender Support Bracket
5	FS 1005	43766069	LH Center Fender Support Bracket
6		5111INT	Frame Plate
7	FS 1000	43766031	RH Rear Fender Support Bracket
7	FS 1003	43766030	LH Rear Fender Support Bracket
8	FS 1006	43766014	Fender Bolt Kit
9	MUD 1001	183700A	Mud Flap 24" x 24"
10	MUD 1002	183700b	Mud Flap 24" x 30"
11	LT 1019	43771000	Truck Lite - Smith Light Kit
12	LT 1000	43771001	Red Recessed Light 2"
13	LT 1002	43771002	2" Rubber Grommet
14	LT 1019 A	43771005	2 Plug Wiring Harness
15	LT 1019 B	43771004	3 Plug Wiring Harness
16	LT 1001	43771006	2" Amber Recessed Light
17	LT 1018	43853001	Amber Light - Light Bracket
18	LT 1005	43771003	2 Pin Pigtail
	FS 1011	43669000	Fender Washer



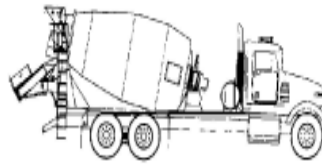
FENDERS

REX Fender Arrangement



REX Style Fenders & Parts stocked by Concrete Mixer Supply

<u>Item#</u>	<u>CMS #</u>	<u>OEM Part#</u>	<u>Description of Part</u>
1	FR 1008	102-50342-01	REX 110" Steel Fender Top
1	FR 1008 A	102-50343-01	REX 60" Steel Fender Extension
1	FR 1007	102-50210-01	REX 110" Aluminum Fender Top
2	FR 1000	502-20259-80	Double Bend Fender Bracket
3	FR 1003	102-4924-2	Rear Splash Guard, Right Side PS
3	FR 1004	102-4924-1	Rear Splash Guard, Left Side DS
3	FR 1005	502-50175-01	Rear Splash Guard, Right Side PS
3	FR 1006	502-50175-02	Rear Splash Guard, Left Side DS
4		102-30839-01	Filler Fender, Right Side PS
4		102-30839-02	Filler Fender, Left Side DS
5	FR 1018	502-00341-80	Hanger, Right Side PS Front
5	FR 1019	502-00341-81	Hanger, Left Side DS Front
6		102-10702-01	Back Up Plate (Optional)
7		102-293-1	Reinforcing Bar
8	FR 1000 A	102-1814-1	J Bolt
9	LN 7000		5/8 Locknut
10	MUD 1001		Mud Flap 24" x 24"



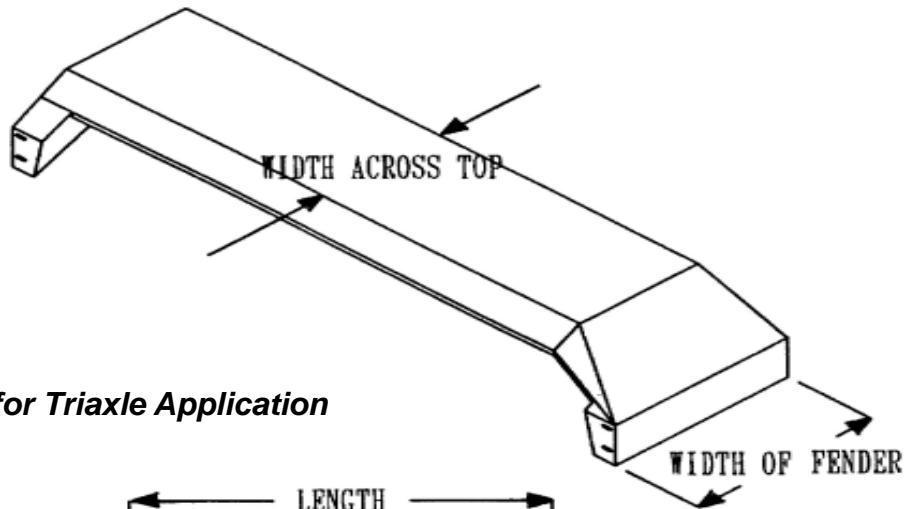
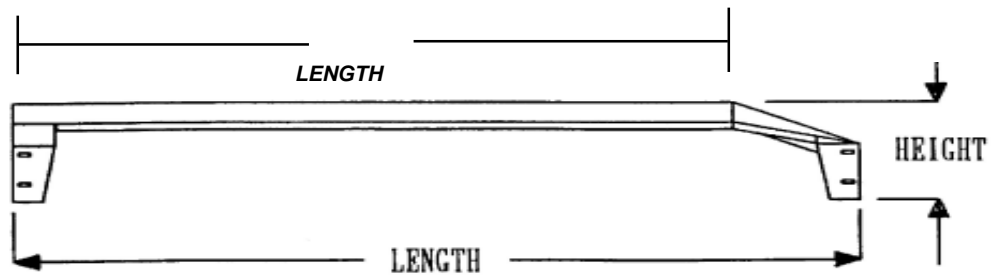
FENDERS

Fender Order Form

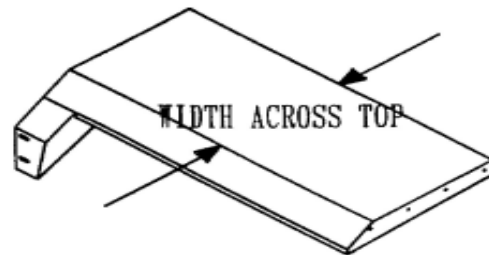
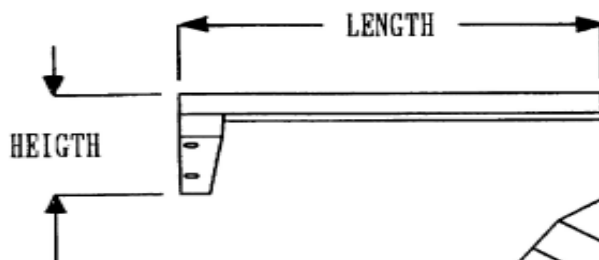
Customer Name _____

Qty to be ordered: _____

Rear Truck Tire Size: _____

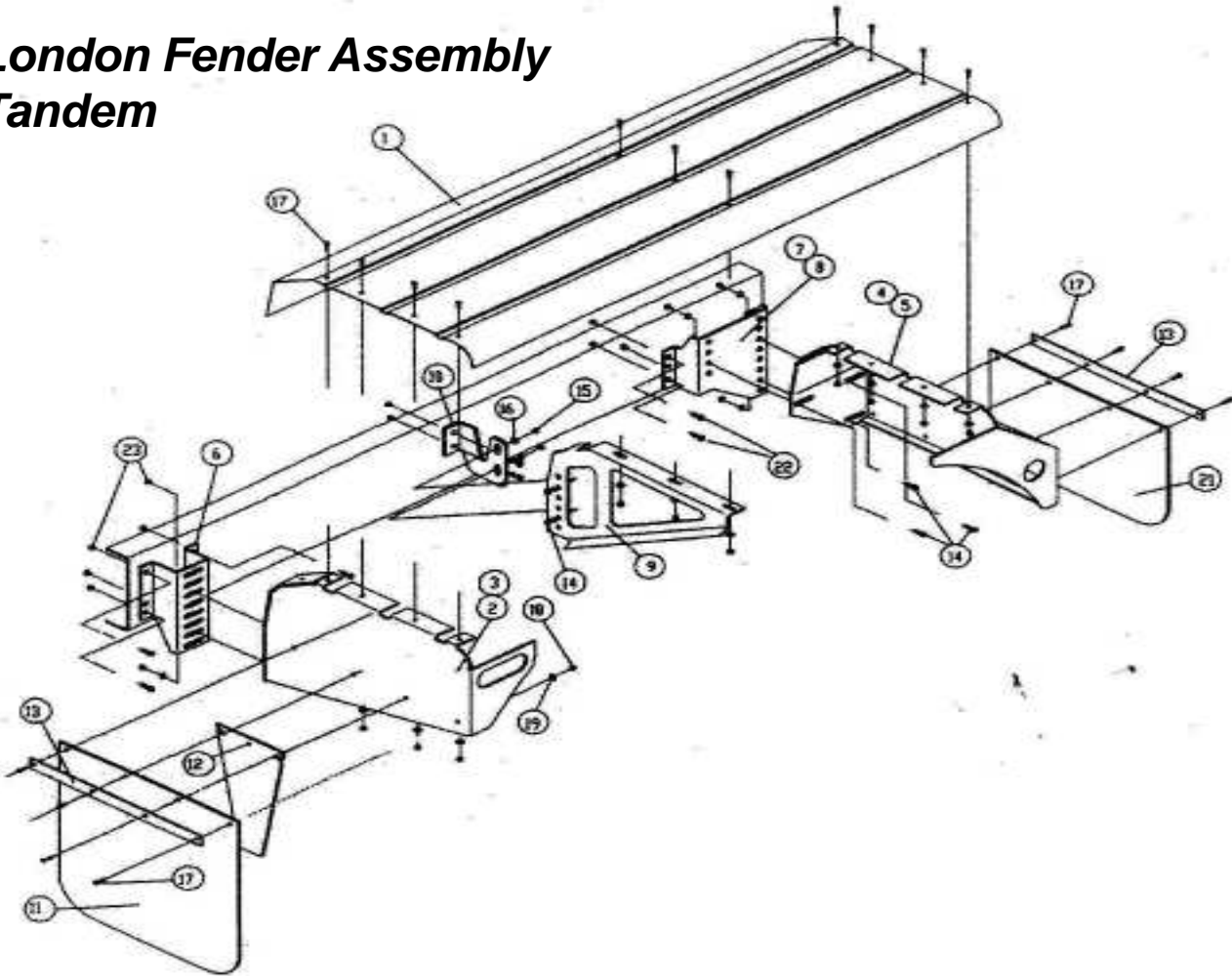


Fender Extension for Triaxle Application

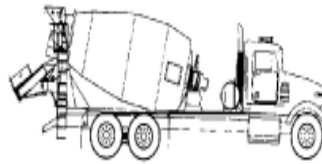




London Fender Assembly Tandem

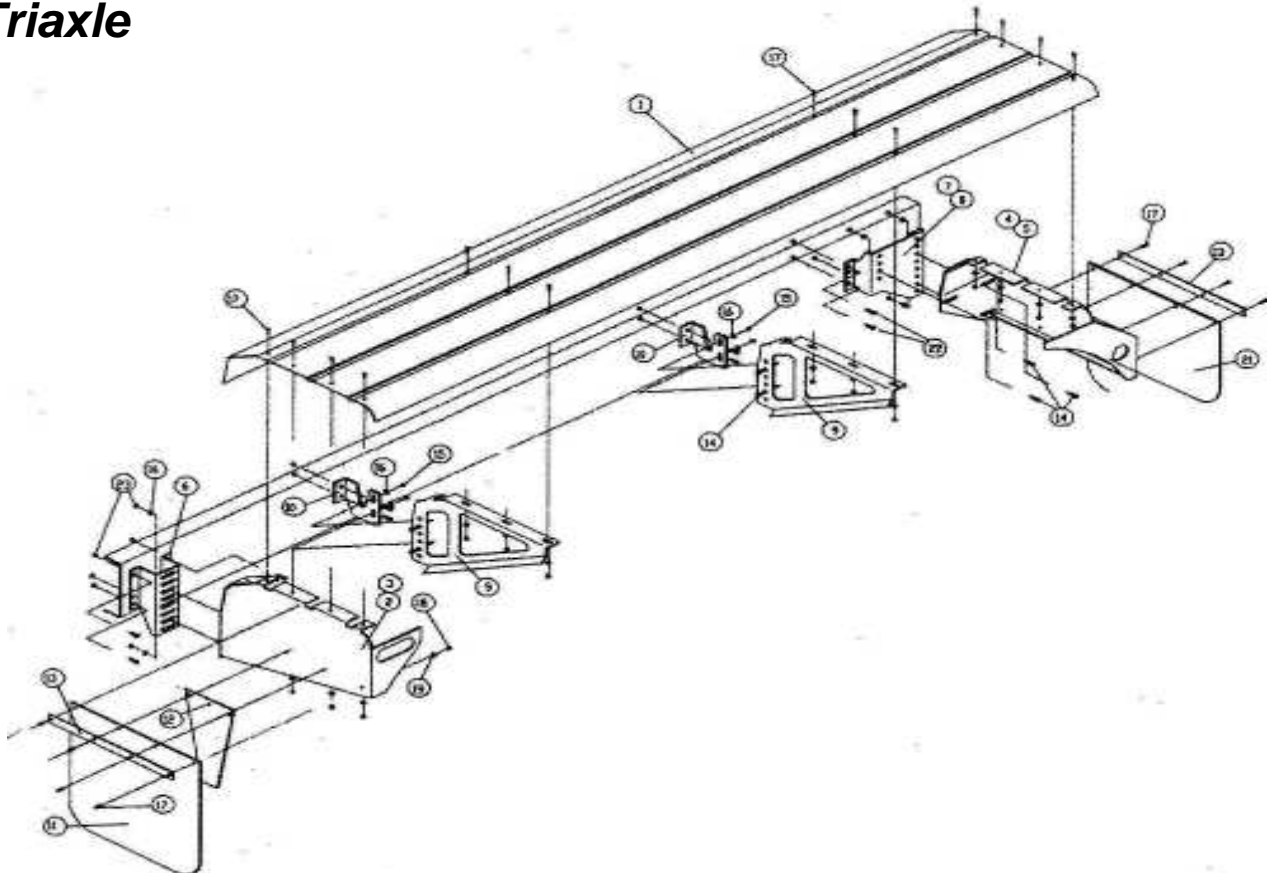


Item#	CMS #	Description of Part
1	MA-38965-107	London Steel Fender Top 107" with Ribs
1	MA-38965-107S	London Steel Fender Top 107" Flat Top no ribs
1	MA-38967-107	London Aluminum Fender Top 107" with Ribs
1	MA-38967-107S	London Aluminum Fender Top 107" Flat Top no ribs
2	MC-38969-01	Front Fender Support RH
3	MC-38969-02	Front Fender Support LH
4	MC-38971-01	Rear Fender Support RH Standard Light
4	MC-38972-01	Rear Fender Support RH Dual Tail Light
5	MC-38971-02	Rear Fender Support LH Standard Light
5	MC-38972-02	Rear Fender Support LH Dual Tail Light
6	MB-38183	Front Adaptor Bracket
7	MC-38184-01	Rear Adaptor Bracket RH
8	MC-38184-02	Rear Adaptor Bracket LH
9	MB-38973	Center Support
10	MB-38970	Center Adaptor
11	MUD1001	24 x 30" Mud Flap
12	MUD1003	Mud Flap Bar

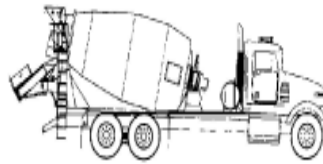


FENDERS

**London Fender Assembly
Triaxle**



<u>Item#</u>	<u>CMS #</u>	<u>Description of Part</u>
1	MA-38965-05	London Steel Fender Top Flat Top no ribs
1	MA-38967-05	London Aluminum Fender Top no ribs
2	MC-38969-01	Front Fender Support RH
3	MC-38969-02	Front Fender Support LH
4	MC-38971-01	Rear Fender Support RH Standard Light
4	MC-38972-01	Rear Fender Support RH Dual Tail Light
5	MC-38971-02	Rear Fender Support LH Standard Light
5	MC-38972-02	Rear Fender Support LH Dual Tail Light
6	MB-38183	Front Adaptor Bracket
7	MC-38184-01	Rear Adaptor Bracket RH
8	MC-38184-02	Rear Adaptor Bracket LH
9	MB-38973	Center Support
10	MB-38970	Center Adaptor
11	MUD1001	24 x 30" Mud Flap
12	MUD1003	Mud Flap Bar
21	MUD1000	24" x 24" Mud Flap

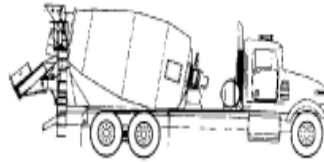


FENDERS OSHKOSH FENDER ASSY



<u>CMS #</u>	<u>Description of Part</u>
FO2024040	BRACKET FENDER END
FO2024490	LIGHT BRACKET
FO2049400	12GA STEEL FENDER END CAP RH
FO2049410	12GA STEEL FENDER END CAP LH
FO2049840	FENDER END BRKT
FO2050030	LONG FENDER SUPPORT
FO2050040	SHORT FENDER SUPPORT
FO2066090	SUPPORT FENDER END
FO2083220R	FENDER AND MUD FLAP SUPPORT RH
FO2083220L	FENDER AND MUD FLAP SUPPORT LH
FO2200010	2" x 2" FENDER SUPPORT TUBE
FO2207860W	2" x 2" FENDER BRACKET TUBE ASSY (with angle piece)
FO2221590	12GA STEEL FENDER EXTENSION 53"
FO2221600	12GA STEEL FENDER TOP 89"

Concrete Mixer Supply.com



Mixer Parts

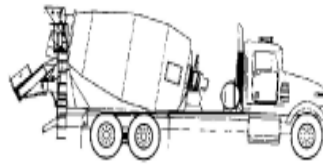
FENDERS

ADVANCE FENDER ASSY

FA1000 11385 137" FENDER TOP STEEL

**FA1001 11391 END CAP
RIGHT REAR-LEFT FRONT**

**FA1002 11392 END CAP
LEFT REAR - RIGHT FRONT**



FENDERS

Plastic Single Axle Fender

2

Need 2 Package Sets to complete one truck

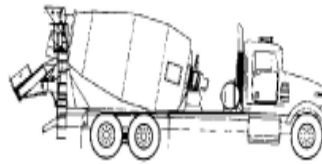


1



3

<u>Item#</u>	<u>CMS #</u>	<u>Description of Part</u>
1	FP031-1520	Plastic Fender - Black (2 Fenders)
1	FP031-1521	Plastic Fender - Silver/Gray
1	FP031-1522	Plastic Fender - Medium Blue
1	FP031-1523	Plastic Fender - Yellow
1	FP031-1524	Plastic Fender - White
1	FP031-1525	Plastic Fender - Orange
1	FP031-1526	Plastic Fender - Brown
1	FP031-1527	Plastic Fender - Green
1	FP031-1528	Plastic Fender - Navy Blue
1	FP031-1529	Plastic Fender - Red
2	FP031-00883	Offset Fender Mount Bracket Package
3	FP033-04139	Mud Flap Reinforcing Strap-Blk Nylon
4	FP031-01536	Curved Brush - Optional reduces splash
5	FP031-01584	Mud Flap with Stainless Steel with SS hardware and reflective tape (2/set)



FENDERS

Plastic Single Axle Fender



FP031-1529
red

FP031-1536
Curved Brush Set
Stainless Steel Retainer

FP031-01584
Mud Flap
Stainless Steel Brkt